

## Ario

### Bollard light



### Features

- Energy saving up to 40% compared to conventional light sources
- Even light distribution, low flicker, no yellowing
- Gypsum material, environmental friendly



Surface

Colour Rendering Index  
 $\geq 80$



IP Rating  
IP65

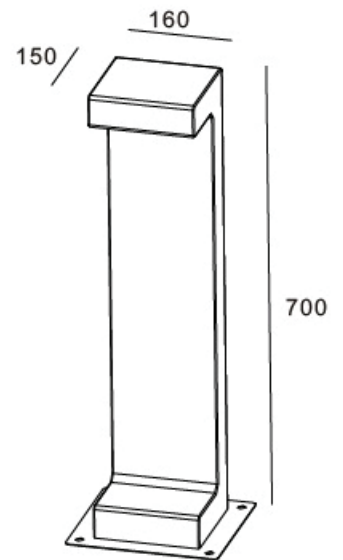
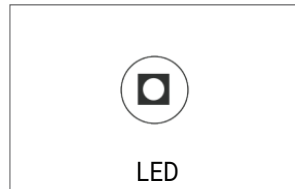
**5** years  
warranty Standard Warranty

## TECHNICAL DATA SHEET - ARIO - 16866 - BOLLARD LIGHT



### TECHNICAL DATA

<b>Product Data</b>	Bollard light
<b>Lamp Type</b>	BridgeLux LED
<b>Wattage</b>	8W
<b>Color Temperature</b>	2700K
<b>Rated Luminaire Luminous Flux</b>	720lm
<b>Rated Luminaire Efficiency</b>	90lm/W
<b>IP Rating</b>	65
<b>Voltage</b>	AC220-240V
<b>Frequency Range</b>	50-60 Hz
<b>CRI</b>	Ra>80
<b>Power Factor</b>	>0.9
<b>Material</b>	Concrete
<b>Finish</b>	Black Sand Stone Cement
<b>Life Span</b>	50,000 Hours
<b>Warranty</b>	5 Years
<b>Applications</b>	Residential, Commercial, Hospitality etc.



### TECHNICAL OPTIONS

<b>Color Temperature</b>	3000K-5000K
<b>Control</b>	TRIAC, 1-10V, Dali
<b>Wattage</b>	6W, 10W