

## Genssen X Recessed Spotlight



### Features

- PC cover with high transmittance, offering uniform and comfortable light
- Excellent aluminum reflector offers even and better light color
- Housing material: Aluminum with good performance
- Powder coated surface treatment is durable and not easy to fall off

 **Recessed**

 **IP Rating**  
IP44

**Colour Rendering Index**  
≥80

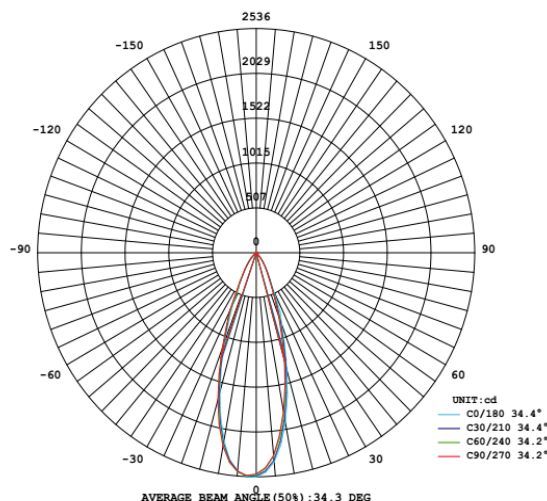
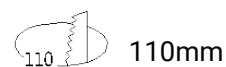
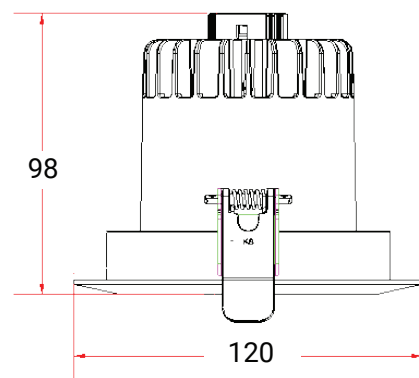
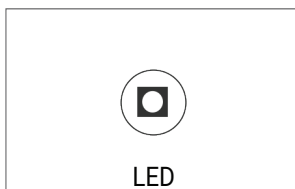
**5** years **Standard Warranty**  
warranty

## TECHNICAL DATA SHEET - GENSSSEN X - 15681 - RECESSED SPOTLIGHT



### TECHNICAL DATA

Product Data	Recessed Spotlight
Lamp Type	PHILIPS LED
Driver	PHILIPS Driver
Wattage	20W
Color Temperature	4000K
Rated Luminaire Luminous Flux	1,600lm
Rated Luminaire Efficiency	80lm/W
IP Rating	44
Beam Angle	30°
Voltage	AC220-240V
Frequency Range	50-60 Hz
CRI	Ra>80
Power Factor	>0.95
Output Voltage	27-42V
Output Current	500mA
Max Current	575mA
Safety Class	Class II
THD	≤ 15%
Operating Temperature	-20°C ~ +40°C
Storage Temperature	25°C
SDCM(MacAdam)	< 3
Material	Die Cast Aluminium Body
Finish	White + Iron Gray
Life Span	50,000 Hours
Warranty	5 Years
Applications	Residential, Commercial, Hospitality etc.



### TECHNICAL OPTIONS

Wattage	15W
Color Temperature	2700K-6500K
Beam Angle	15°/24°/36°/60°
Control	TRIAC/1-10V/DALI