


Modo Underwater Light




Features

- Hard chromeplated molding shaped stainless steel sus 316L
- Light Window: 8mm
- Gasket: Silicone gasket
- Excellent heat conductivity aluminum.coefficient of heatConductivity $\geq 2.0w/mk$
- Automatic Shutdown at 75°C
- Temperature of water between -20°C~50°C less than 1 meter depth

 Surface

 IP Rating
IP68

 IK Rating
IK08

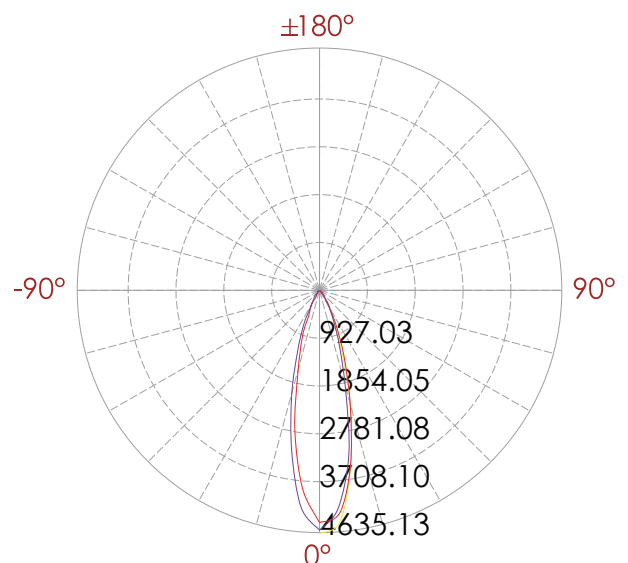
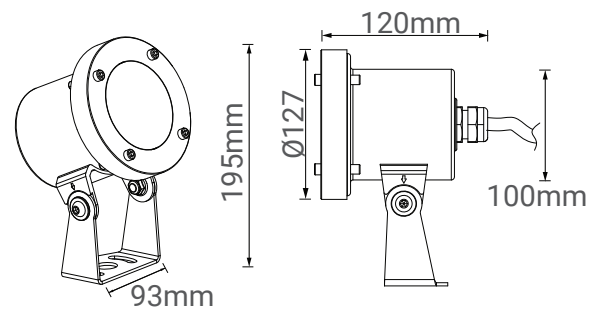
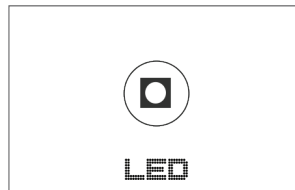
 5 years
warranty Standard Warranty

TECHNICAL DATA SHEET - MODO - 15126 - UNDERWATER LIGHT



TECHNICAL DATA

Product Data	Underwater Light
Lamp Type	OSRAM LED
Wattage	6x3W
Color Temperature	3000K
Rated Luminaire Luminous Flux	1,620lm
Rated Luminaire Efficiency	90lm/W
IP Rating	68
Beam Angle	30°
Voltage	DC24V
Frequency Range	50-60 Hz
CRI	Ra>80
Power Factor	>0.9
Output Current	900mA
Operating Temperature	-20°C ~ +50°C
Safety Class	Class I
IK Rating	08
SDCM (MacAdam)	< 3
Material	Hard chrome-plated stainless steel #316
Finish	Chrome
Life Span	50,000 Hours
Warranty	5 Years
Applications	Outdoor, Pool, Fountains, etc.



TECHNICAL OPTIONS

Wattage	6W/36W
Color Temperature	3000K-6000K
Beam Angle	9°/15°/20°/45°
Control	Switchable, TRIAC, PWM, DALI, 1-10V
Accessory	Tri-pod