

Genssen Recessed Spotlight



Features

- Aluminium die casting material, improvement of the traditional heat sink, avoid the potential risk from high temperature
- Electrostatic painting surface, keep the color consistency
- Anti glare by deeply placed LED source
- Same size for Adjustable and Fixed model

 **Recessed**

 **IP Rating**
IP44

Colour Rendering Index
≥80

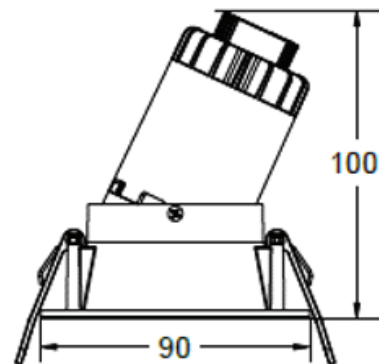
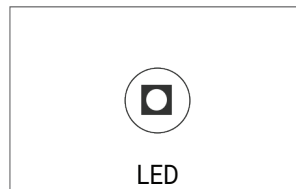
5 years **Standard Warranty**
warranty

TECHNICAL DATA SHEET - GENSSSEN - 13746 - RECESSED SPOTLIGHT



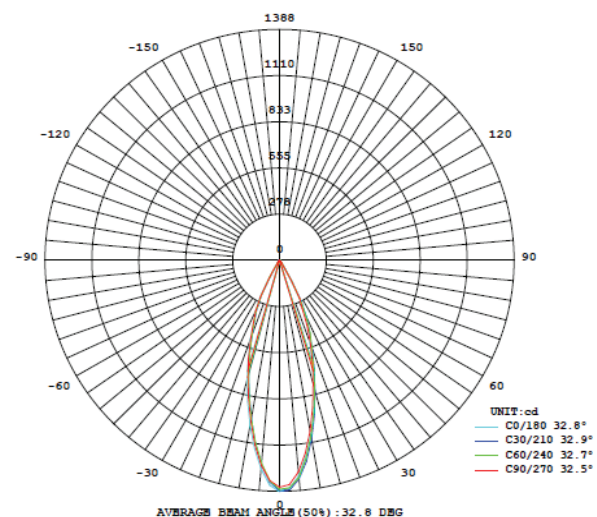
TECHNICAL DATA

Product Data	Recessed Spotlight
Lamp Type	CREE LED
Wattage	10W
Color Temperature	6000K
Rated Luminaire Luminous Flux	750lm
Rated Luminaire Efficiency	75lm/W
IP Rating	44
Beam Angle	30°
Voltage	AC220-240V
Frequency Range	50-60 Hz
CRI	Ra>80
Power Factor	>0.95
Output Voltage	27-42V
Output Current	250mA
Max Current	287mA
Safety Class	Class II
THD	≤ 15%
Operating Temperature	-20°C ~ +40°C
Storage Temperature	25°C
SDCM(MacAdam)	< 3
Material	Aluminum body + Clear Glass
Finish	White + Iron Gray
Life Span	50,000 Hours
Warranty	5 Years
Applications	Residential, Commercial, Hospitality etc.



Hole size(mm)

80-85



TECHNICAL OPTIONS

Wattage	8W
Color Temperature	2700K-6000K
Beam Angle	15°/24°/36°
Control	TRIAC / DALI / 1-10V