

SYV[®]
design



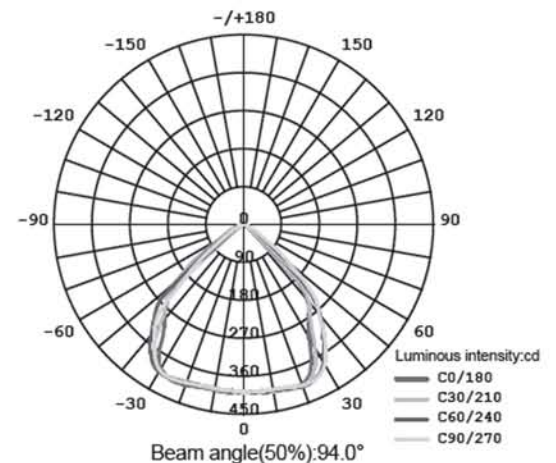
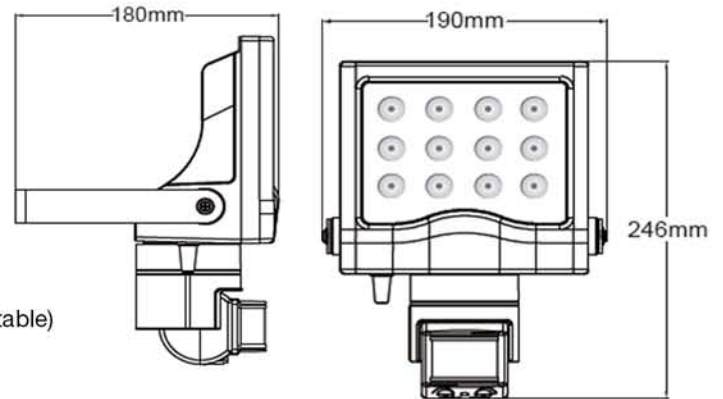
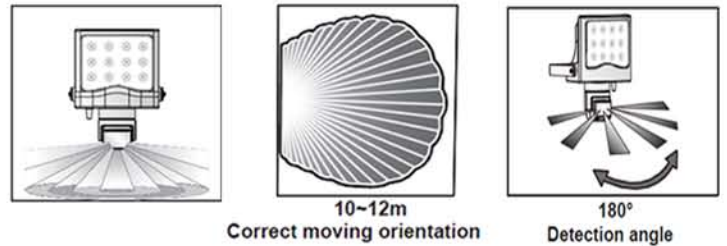
SENSOR FLOOD LIGHT

TECHNICAL DATA SHEET - LED FL59 - 11796 - WALL MOUNTED LED SENSOR LIGHT



TECHNICAL DATA

Product Data	Sensor Light
Lamp Type	LED
LED Quantity	9Pcs
Wattage	15W Max
Color Temperature	6200-6500K
Rated Luminaire Luminous Flux	478.50lm
Rated Luminaire Efficiency	30-35lm/W
IP Rating	54
Light Control	<3LUX~2000LUX (adjustable)
Beam Angle	50°
Detection Angle	180°
Detection Mode Speed	0.6~1.5m/s
Working Temperature	-10°C ~ +40°C
Working Humidity	<93%RH
Installation Height	>1.8m - 3.5m
Time Setting	min:8sec+3sec/max:7min+12min(adjustable)
Voltage	AC220-240V
Frequency Range	50-60 Hz
CRI	Ra>80
Power Factor	>0.9
Material	Aluminum body + Clear Glass
Finish	Black
Life Span	30,000 Hours
Warranty	3 Years
Applications	Residential, Hospitality, Commercial, etc.



PRODUCT DESCRIPTION

The product is a High-power cast LED sensor light; it adopts good sensitivity detector, integrated circuit and SMT. It gathers automatism, convenience, safety, saving-energy and practicality functions. The wide detection field is made up of up and down, left and right service field. It works by receiving human motion infrared rays.