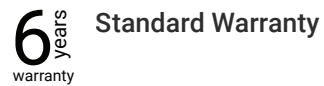


Oger

Track Light (Surface Mounted)

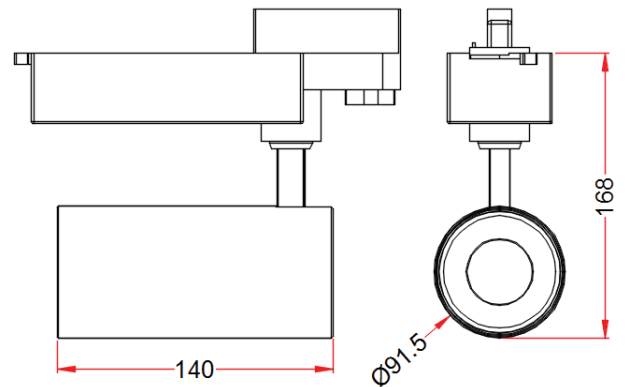
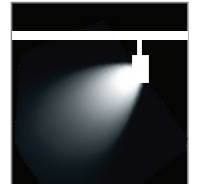
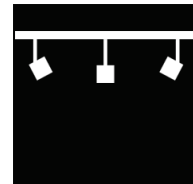
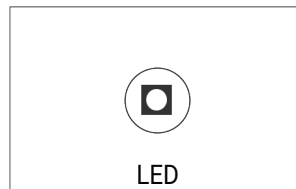


TECHNICAL DATA SHEET - OGER - 19098 - SURFACE MOUNTED TRACK LIGHT



TECHNICAL DATA

Product Data	Surface Mounted Track Light
Lamp Type	CITIZEN LED
Wattage	40W
Color Temperature	4000K
Rated Luminaire Luminous Flux	3500lm
Rated Luminaire Efficiency	87.5m/W
Adjustable	90°
Rotatable	350°
Beam Angle	36°
IP Rating	20
Voltage	AC220-240V
Frequency Range	50-60 Hz
CRI	Ra>80
Power Factor	>0.9
Operating Temperature	-20°C ~ +40°C
Output Current	900mA
SDCM	<3
Safety Class	Class II
Material	Die-casting aluminium
Finish	White
Life Span	60,000 Hours
Warranty	6 Years
Applications	Art Galleries, Malls, Office Buildings, Retails shops



Unit: mm

TECHNICAL OPTIONS

Wattage	10W/30W
Color Temperature	3000K-6000K
Beam Angle	20° / 24°
Phase	1/2
Finish	White
Control	Switchable / TRIAC / DALI / 0-10V, 1-10V