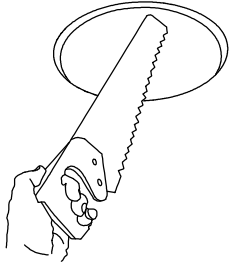
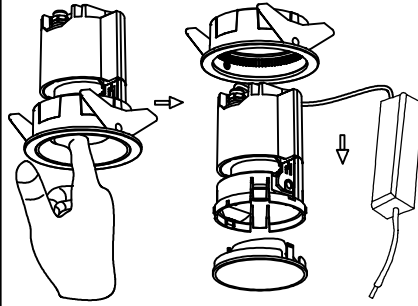


## INSTALLATION

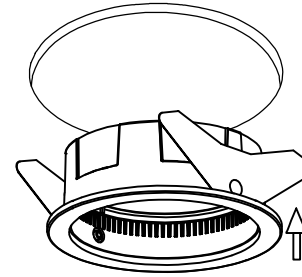
- 1 Open the ceiling hole in accordance to the given luminaire cut hole size. The suitable false/plaster ceiling thickness shall be 5-20mm.



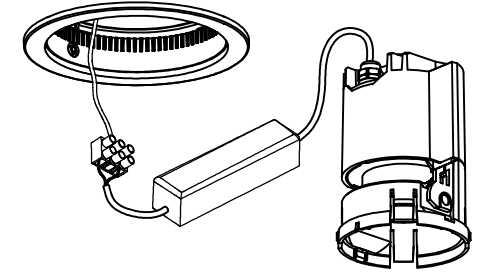
- 2 Detach the frame, led module and reflector of the luminaire.



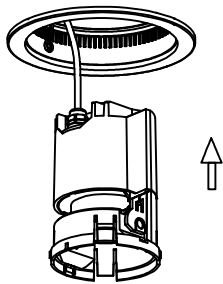
- 3 Insert the luminaire frame to the ceiling hole.



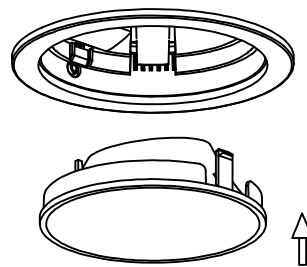
- 4 Disconnect the electrical power, connect the electrical "L" and "N" wire to led driver.



- 5 Insert the driver and luminaire led module into the frame hole.



- 6 Insert the reflector into the groove slot. Complete the installation and clean the surface of the luminaire.



- 7 Luminaire is ready to connect to electrical power.

