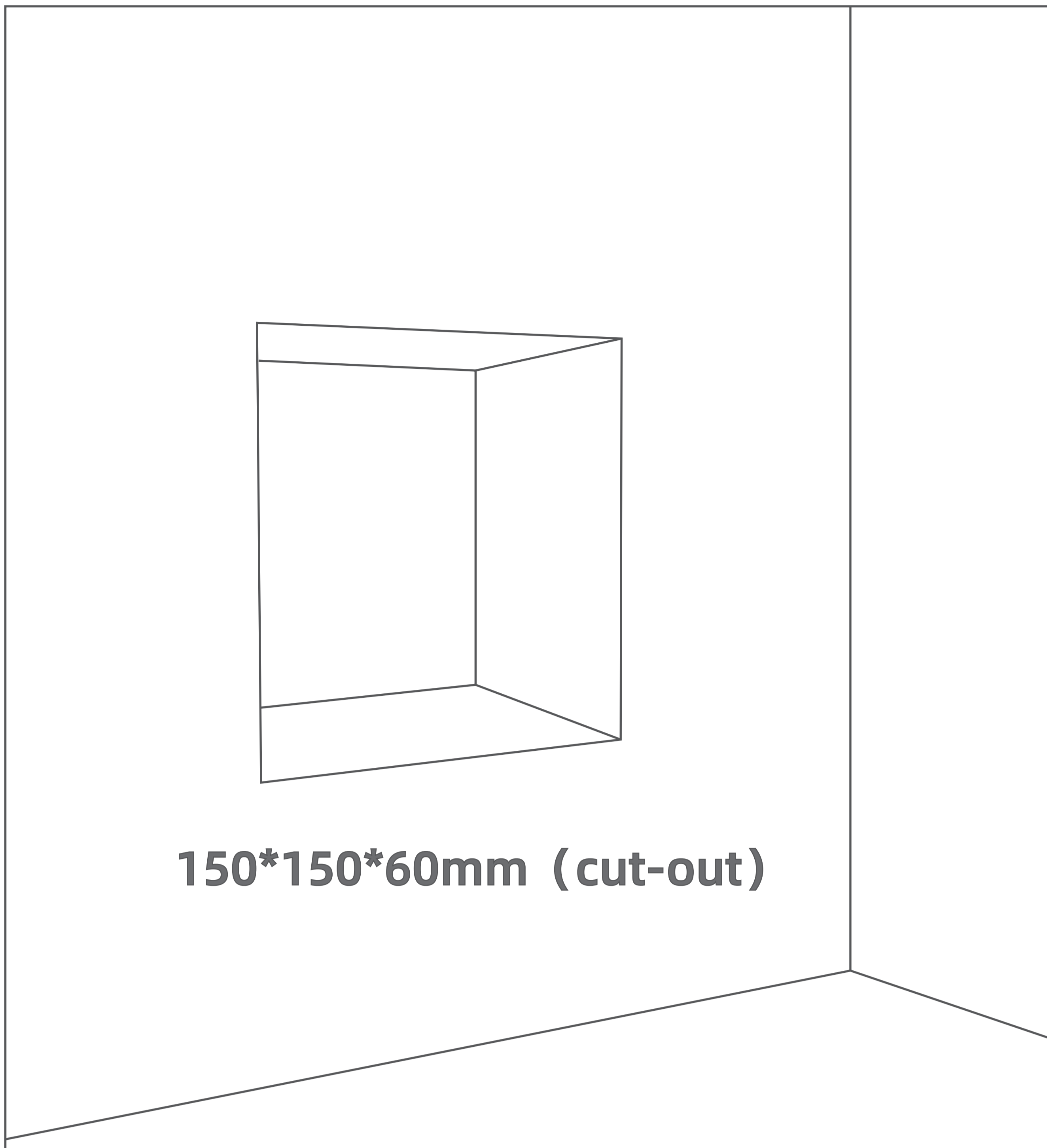
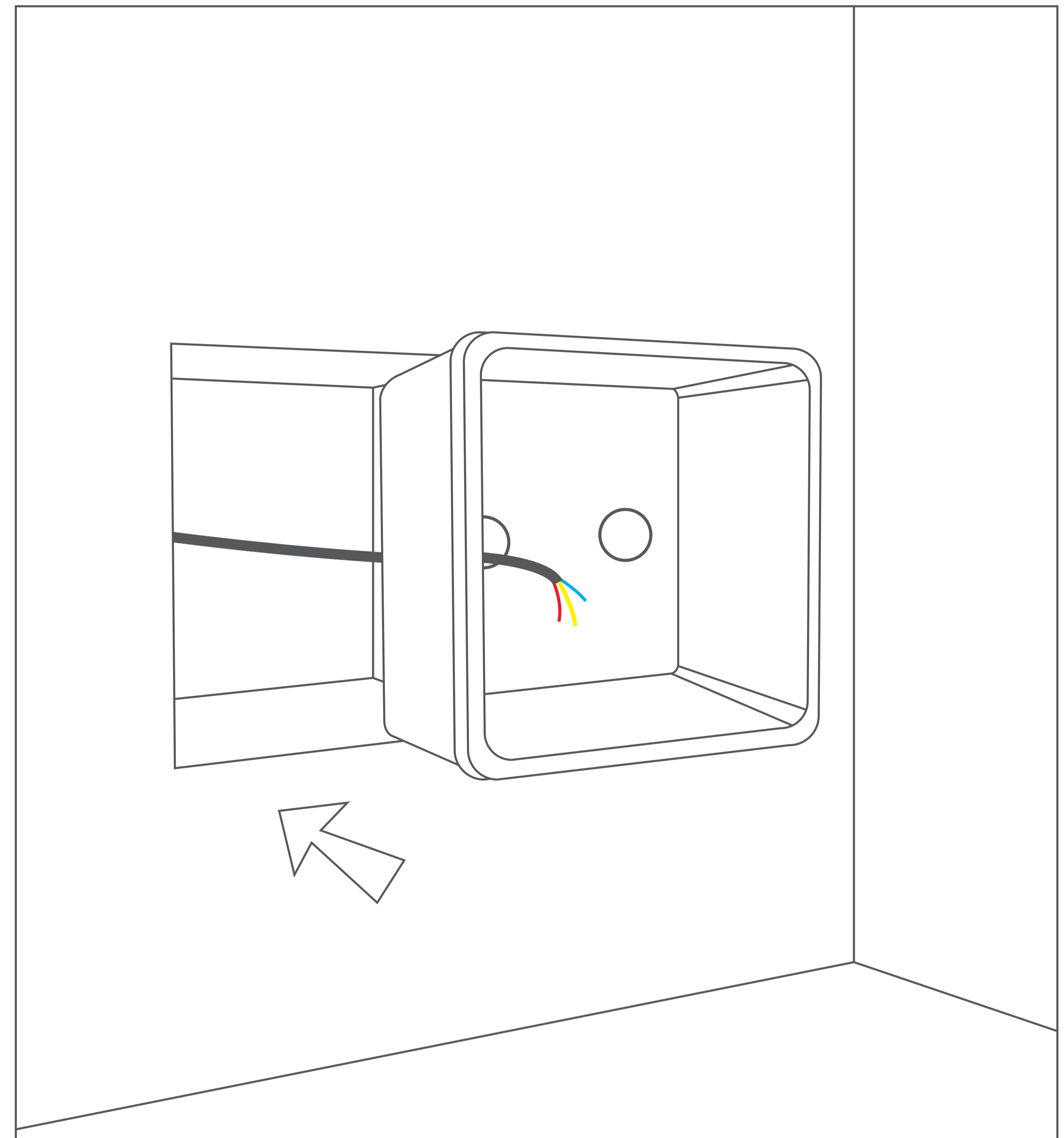


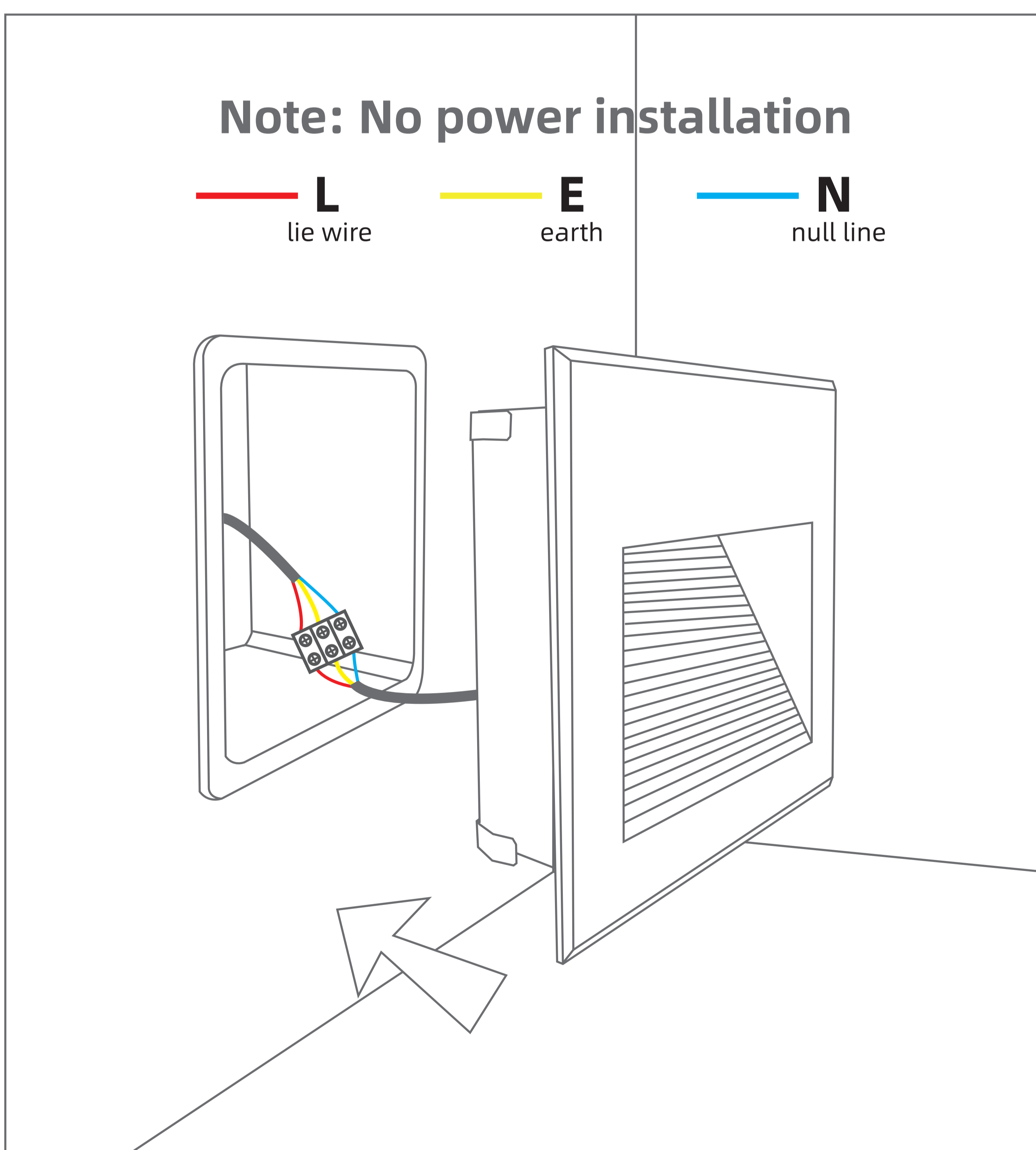
Installation Instructions



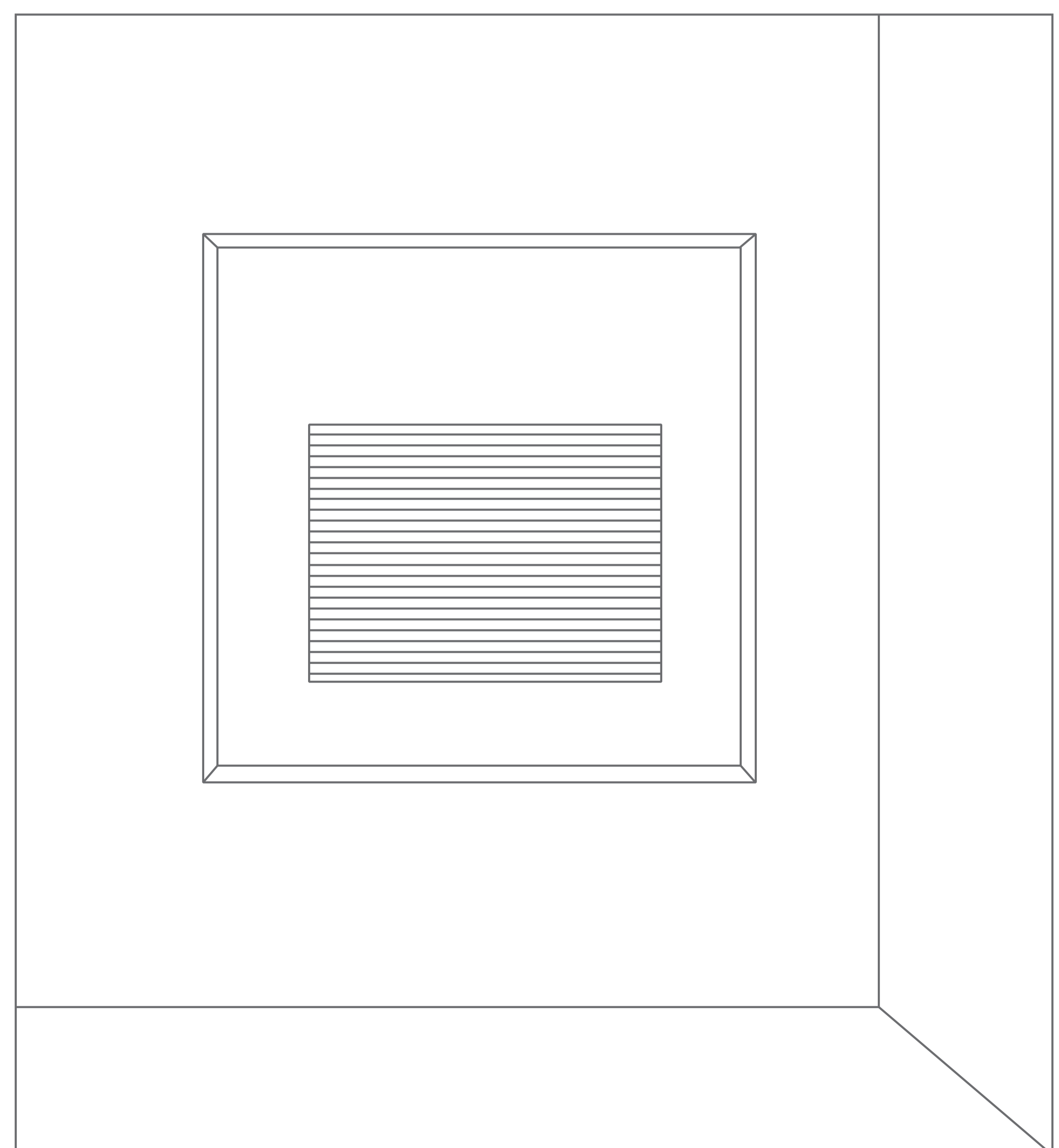
1. Cut-out, reserved power cord



2. Push the bottom box into the opening, flush with the wall



3. Connect the power cable and push the lamp body in



4. Installation complete