

## Glor

### Surface Mounted Wall/Step Light



#### Features

- Housing: Die-cast aluminum material, not only to ensure corrosion and rust prevention.
- Space saving: ultra-thin LED embedded step light, irradiation distance 1-3m.
- Wide voltage: built-in 85-265V drive, can be directly connected to 220V high voltage.



**Surface Mounted**



**IK Rating**  
IK10



**IP Rating**  
IP65



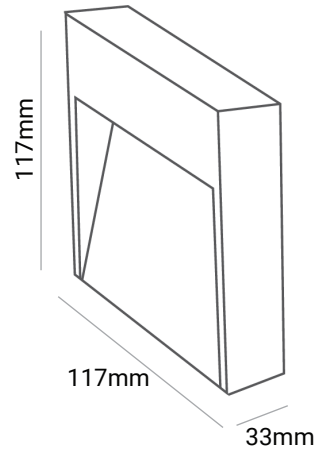
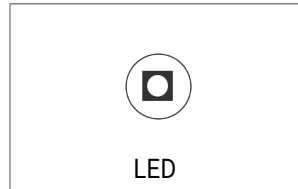
**Standard Warranty**

## TECHNICAL DATA SHEET - GLOR - 20245 - SURFACE MOUNTED WALL/STEP LIGHT



### TECHNICAL DATA

<b>Product Data</b>	Wall light
<b>Lamp Type</b>	Bridgelux LED
<b>Wattage</b>	3W
<b>Color Temperature</b>	3000K
<b>Rated Luminaire Luminous Flux</b>	240lm
<b>Rated Luminaire Efficiency</b>	80lm/W
<b>IP Rating</b>	65
<b>Beam Angle</b>	90°
<b>Voltage</b>	AC85-265V
<b>Frequency Range</b>	50-60 Hz
<b>CRI</b>	Ra>90
<b>Power Factor</b>	>0.5
<b>Safety Class</b>	Class II
<b>Output Current</b>	260mA
<b>Working Temperature</b>	-20°C~ +50°C
<b>Material</b>	Die-cast aluminum
<b>Finish</b>	Grey
<b>Life Span</b>	50,000 Hours
<b>Warranty</b>	5 Years
<b>Applications</b>	Outdoors, Residential, Commercial, Hospitality etc.



### TECHNICAL OPTIONS

<b>Color Temperature</b>	4000K-6000K
<b>Finish</b>	White, Black
<b>Control</b>	Switchable, TRIAC, 1-10V, Dali, PWM