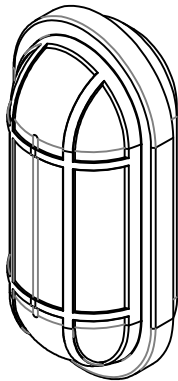
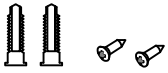


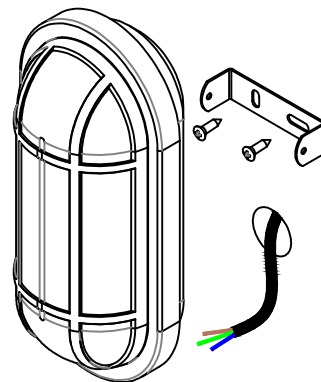
INSTALLATION OF WALL LIGHT

CUT OFF POWER

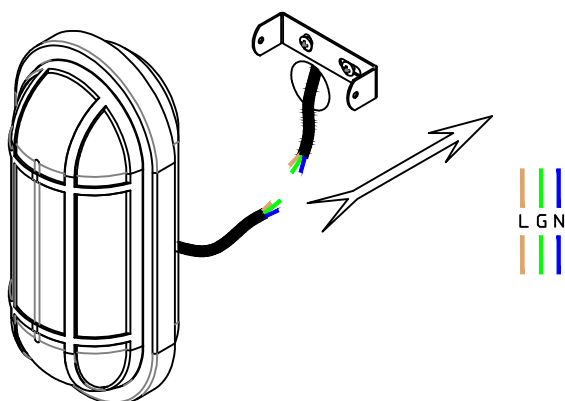
Prepare socket and screws before installation, 2pcs each



use bracket to fix the holes and install the bracket on the wall



please use IP65 connector to connect wires



1. Tighten the screws, and open the power after installation, and make sure the wires connected well
2. please use waterproof silicone around the base to prevent water from flowing into the wall

