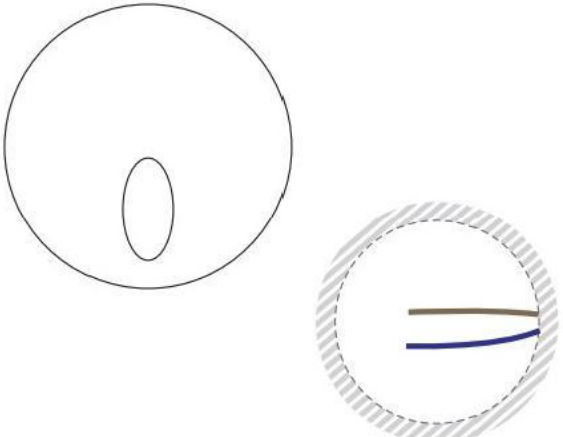
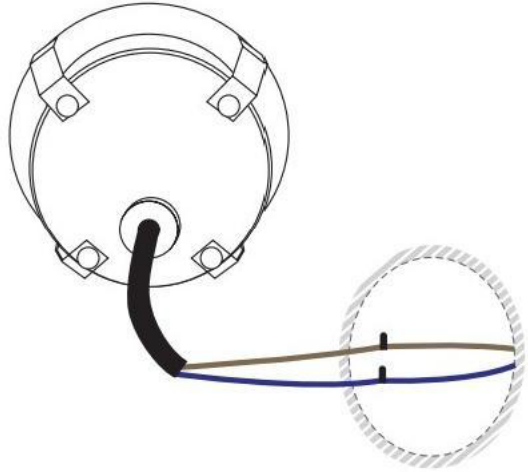
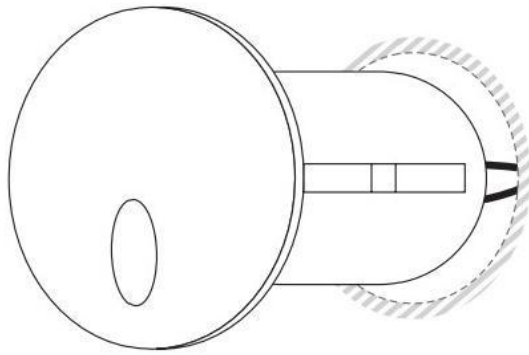
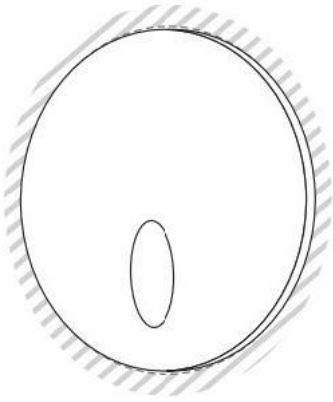
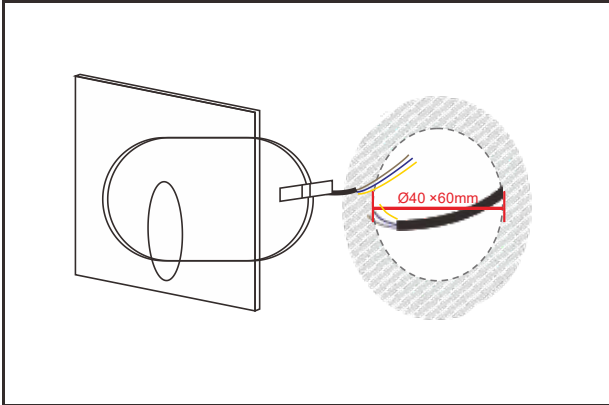


Installation Instructions

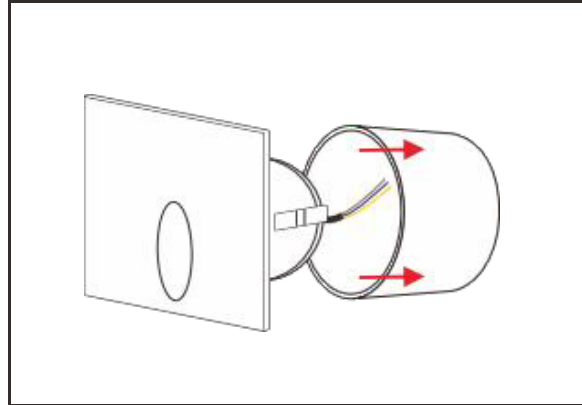
ATTENTION: For this operation you have to cut off the power!

<p>1</p>  <p>Pre drilled hole $\varnothing 45\text{mm}$, reserved 220V wire</p>	<p>2</p>  <p>Connect the power supply neutral wire and fix it to the lamp body Attention: Take moisture-proof measures at the wire connections</p>
<p>3</p>  <p>Push the lamp body into the wall, and the spring of the lamp body will automatically clamp onto the wall</p>	 <p>Installation completed</p>

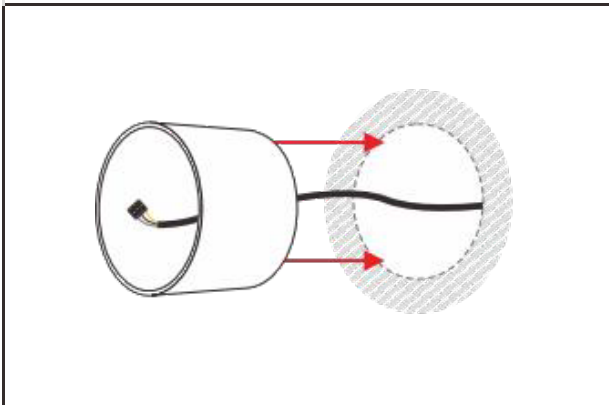
Installation Instructions



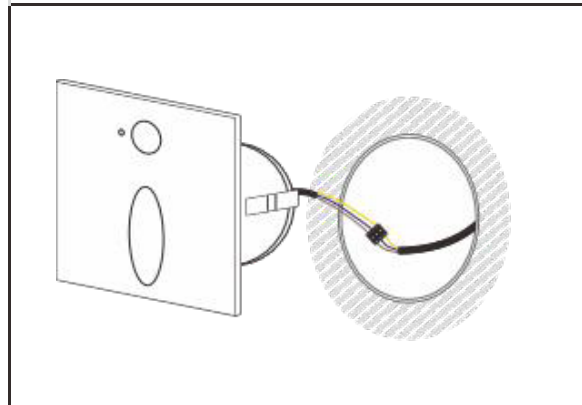
1. Open holes on the wall : $\varnothing 40 \times 60$ mm, and reserve AC220V



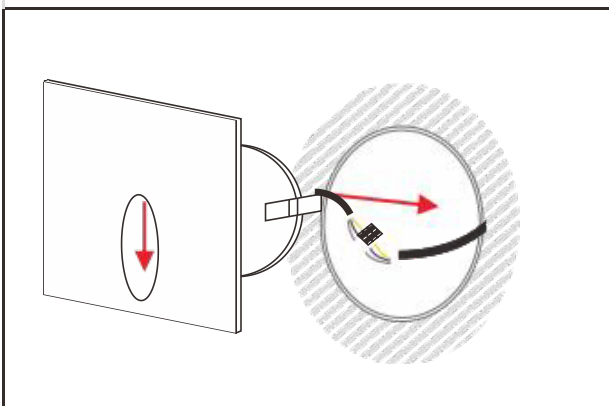
2. Separate the luminaire from the embedded box and power cord remove the embedded box.



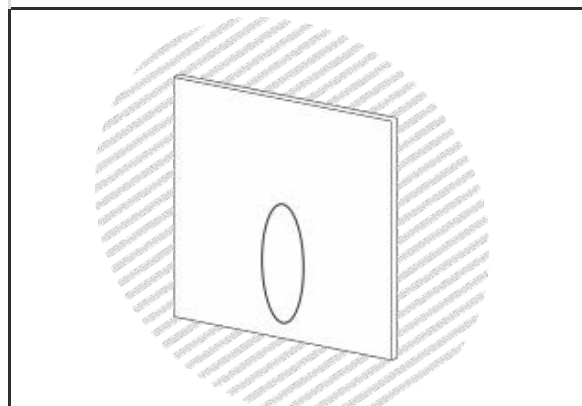
3. Thread the AC220V power cable through the cable hole of the pre-buried box, and install the pre-buried box into the wall, and the wall Flush and secure with screws.



4. Connect the AC220V power cord to the lamp power cord.
 • remark: Firing line - Zero line - Ground wire
 (No live installation,)



5. Install the lamp body into the embedded box and press it flat.
 Note: The light source of this lamp is mounted downward!



6. After installation, power on and light up.

Accessory bag

