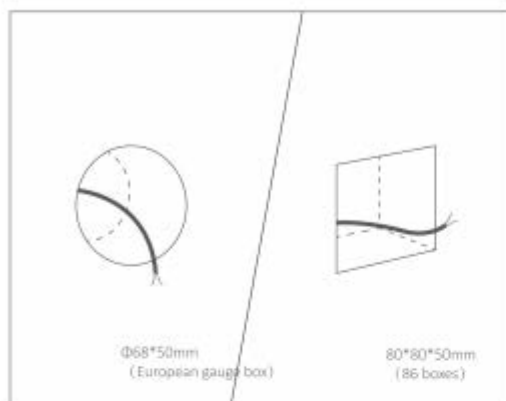
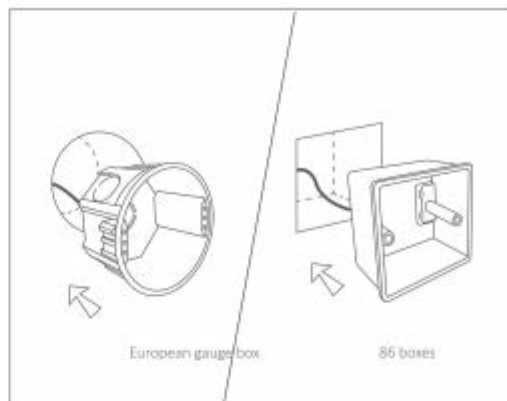


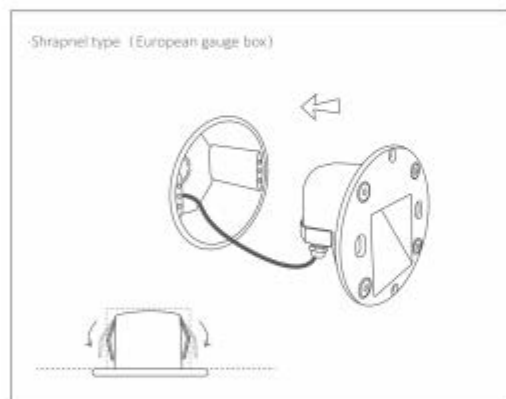
Step light installation instructions



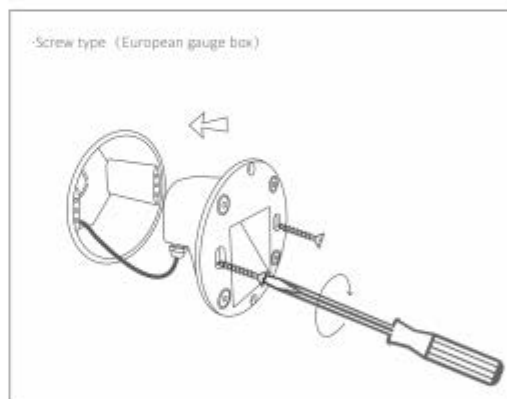
1. Cut-out, reserve zero fire wire



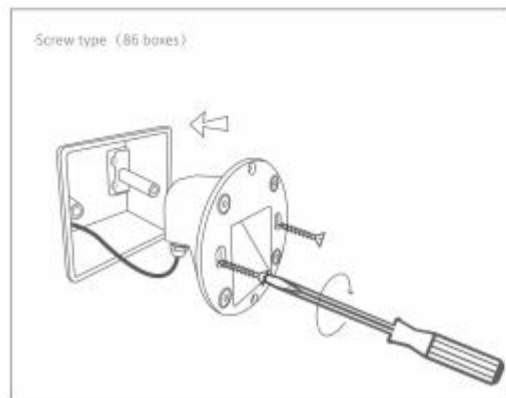
2. Suitable opening position for the bottom box propulsion



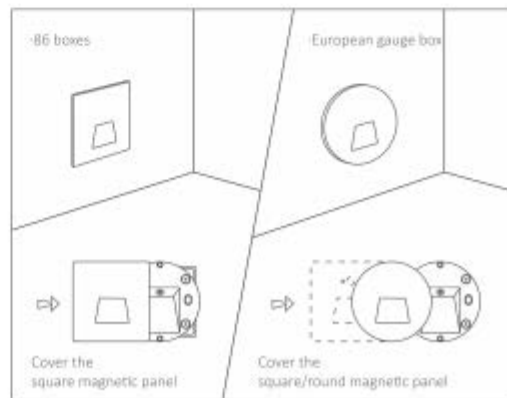
3.1. Take the lower cover, link the reserved zero fire wire, push into the bottom box



3.2. Connect the zero wire, push it into the bottom box and fix it with screws



3.3. Connect the zero wire, push it into the bottom



4. Installation complete