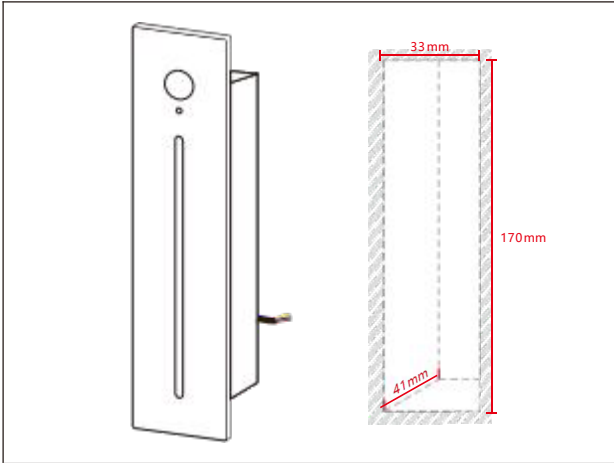
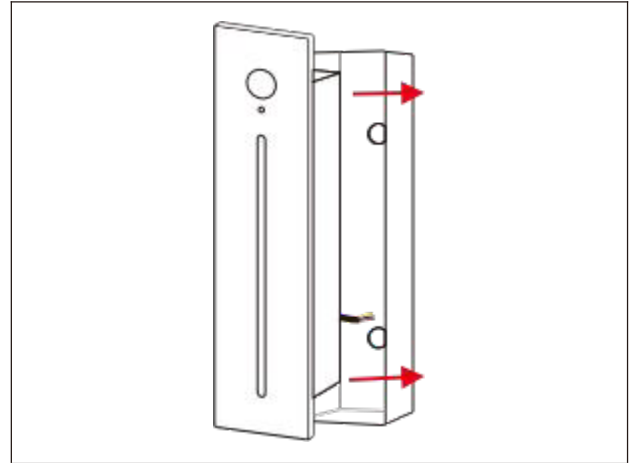


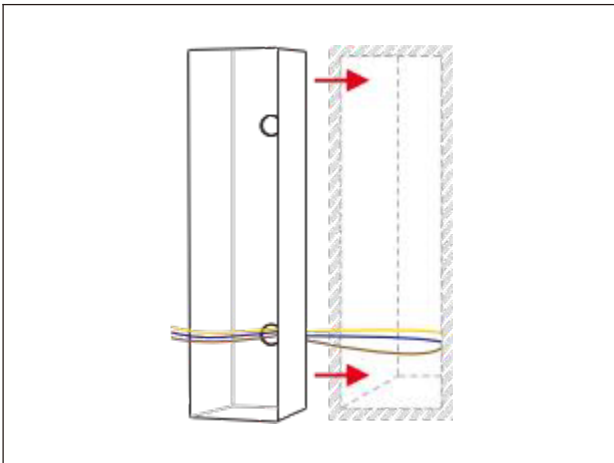
Installation Instructions



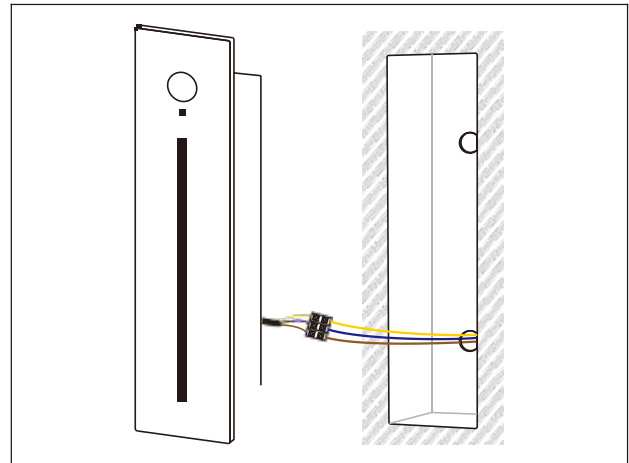
1. Make a hole on the wall :33 x 170 x 41mm, and reserve the AC220V power cable



2. Separate the luminaire from the embedded box and remove the embedded box..

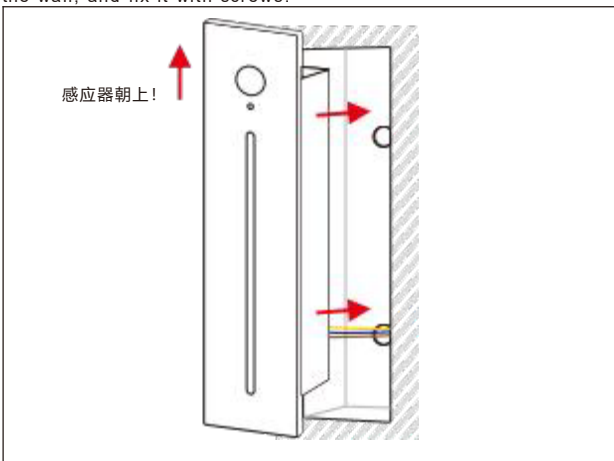


3. Thread the AC220V power cable out of the cable hole of the pre-buried box, and install the pre-buried box into the wall, flush with the wall, and fix it with screws.



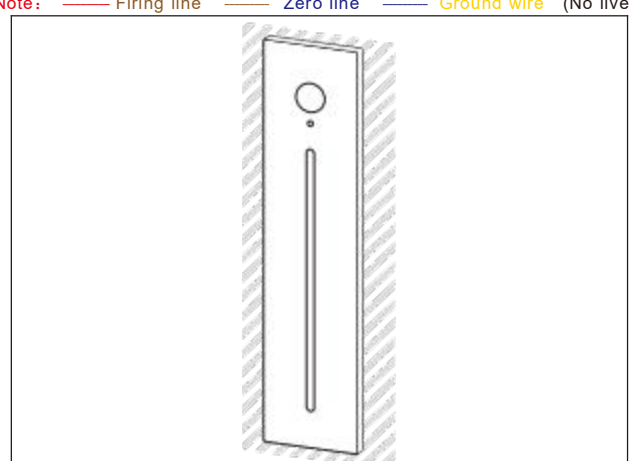
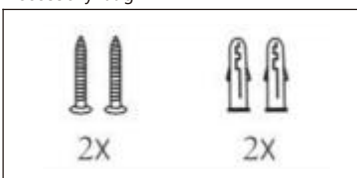
4. Connect the AC220V power cord to the lamp power cord.

Note: — Firing line — Zero line — Ground wire (No live installation)



5. Install the lamp body into the embedded box and press it flat.
Note: The sensor of this lamp is mounted upward!

Accessory bag



6. After installation, power on and light up.