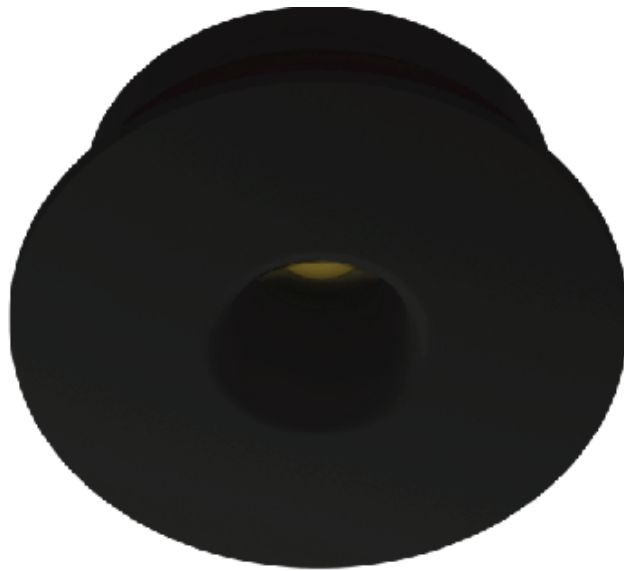


Riste

Recessed Mini Spotlight



Features

- Round shaped deep recessed luminaire with COB LED
- Anti-glare & Flicker Free
- Optics: Lens
- 80% Energy Saving
- Easy installation

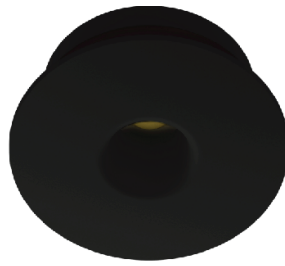
 **Recessed**

 **IP Rating**
IP44

 **UGR**
<19

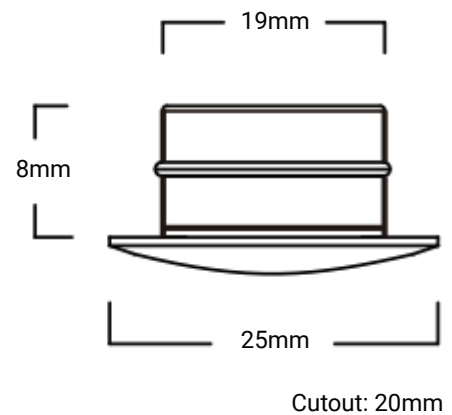
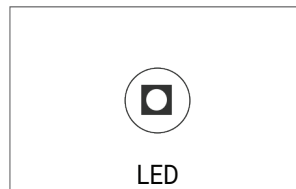
6 years
warranty **Standard Warranty**

TECHNICAL DATA SHEET - RISTE - 20310 - RECESSED MINI SPOTLIGHT



TECHNICAL DATA

Product Data	Recessed Mini Spotlight
Lamp Type	Bridgelux LED
Wattage	1W
Color Temperature	3000K
Rated Luminaire Luminous Flux	90lm
Rated Luminaire Efficiency	90lm/W
IP Rating	44
Beam Angle	50°
Voltage	AC220-240V
Frequency Range	50-60 Hz
CRI	Ra>80
Power Factor	>0.5
Safety Class	Class II
Output Current	200mA
Operating Temperature	-20°C ~ +40°C
SDCM(MacAdam)	< 3
Material	Aluminium Body
Finish	Black
Life Span	60,000 Hours
Warranty	6 Years
Applications	Residential, Commercial, Hospitality etc.



TECHNICAL OPTIONS

Wattage	0.5W
Color Temperature	3000K-6000K
Beam Angle	15°/20°/25°/38°/60°/90°/20*40°
Finish	White
Control	Switchable / TRIAC / DALI / 0-10V