

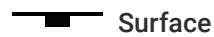
Atomo

Ceiling Pendant light



Features

- Minimalist design that shines a featured droplight on featured artwork, the foyer table, or even across kitchen island.
- Made from aluminum, this adjustable droplight with flexible joint can be rotated 180° to create the exact angle needed for the exact style sought.



Surface



UGR
<19



IP Rating
IP44

6
years
warranty

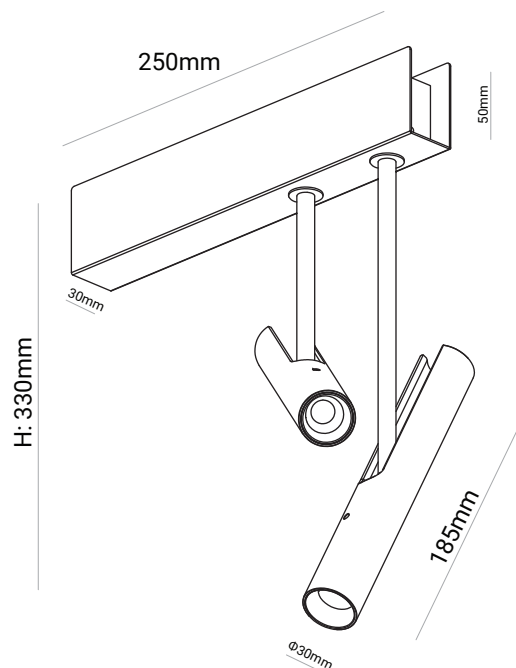
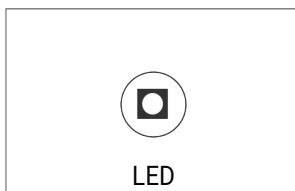
Standard Warranty

TECHNICAL DATA SHEET - ATOMO - 19912 - CEILING PENDANT LIGHT



TECHNICAL DATA

Product Data	Ceiling light
Lamp Type	BRIDGELUX LED
Wattage	2x9W
Color Temperature	3000K
Rated Luminaire Luminous Flux	1440lm
Rated Luminaire Efficiency	80lm/W
IP Rating	44
Beam Angle	36°
Input Voltage	AC220-240V
Output Voltage	27-42V
Frequency Range	50-60 Hz
CRI	Ra>90
Power Factor	>0.5
Current	450mA
Safety Class	Class I
Operating Temperature	-20°C ~ +40°C
SDCM(MacAdam)	< 3
Material	Die cast Aluminium
Finish	Black
Life Span	60,000 Hours
Warranty	6 Years
Applications	Residential, Commercial, Hospitality etc.



TECHNICAL OPTIONS

CCT	4000K, 6000K
Finish	White
Control	Switchable/TRIAC/0-10V/DALI/1-10V