

# SANSCO

## Installation & User Guide



### CAUTION

Please read instructions carefully to ensure safe installation and operation.  
Please retain this user guide for future reference.

# INSTALLATION CONDITIONS

This product must be installed by a licensed electrician.

All wiring and installation of this product must adhere to the latest local and national wiring rules. e.g. AS/NZS 3000 Electrical Installations.

**WARNING: FOR SAFE USE OF THIS APPLIANCE AN ALL-POLE DISCONNECTION SWITCH MUST BE INCORPORATED INTO THE FIXED WIRING IN ACCORDANCE WITH THE WIRING RULES.**

As outlined in clause 7.12.2 of AS/NZS 60335-1 for meeting the minimum electrical safety of this standard.

Please note, the warranty will be void if the installation is without a means for an all-pole disconnection incorporated in the fixed wiring in accordance with the wiring rules.

Example: If this appliance is connected to a circuit that can be isolated via an all-pole safety switch at the switchboard, then this is considered to be an all-pole disconnection to the appliance's electrical circuit, meeting the requirements of clause 7.12.2 of AS/NZS 60335.1.

This is a Class I product and must be earthed during wiring and installation.

The structure to which the appliance is to be mounted, must be capable of supporting a weight of 18.4kg.

This product is suitable for indoor use only.

# SAFETY AND USE

Always ensure power to the circuit you are working on has been switched off before commencing any electrical work or maintenance.

This appliance is not to be used by persons, including children, with reduced physical, mental or sensory capabilities, or lack of knowledge and understanding, unless they are supervised and or given instruction concerning the use of the appliance by someone responsible for their safety.

This appliance is not a toy. Children should be supervised to ensure that they do not play with the appliance.

Do not block the air inlet and outlet. Do not try to insert fingers or other foreign objects into the air outlet/inlet to prevent physical damage.

Do not use the appliance near a gas appliance, heating appliance or fireplaces.

Do not spray insecticide, perfume or any other flammable spray around the product.

Do not use the appliance in surroundings with high humidity, such as a bathroom, without proper and adequate mechanical exhaust/ventilation.

This appliance does not remove carbon monoxide. Do not use as a safety ventilation device in the presence of hazardous chemicals.

Only use the specified filters for this appliance and ensure they are correctly installed prior to use.

# PRE-INSTALLATION

Take care not to pull any electrical wires during unpacking as this may damage the connection.

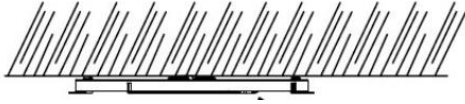
Remove all packaging material from the product and be careful not to throw away accessories that may be hidden within the packaging material.

Lay out all the components on a smooth surface and make sure there are no components missing before assembling. If parts are missing, return the complete product to the place of purchase for inspection or replacement.

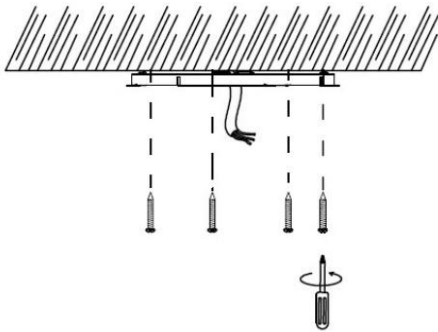
Check whether the product has been damaged during transport. Do not operate/install any product which appears damaged in any way. Return the complete product to the place of purchase for inspection, repair or replacement.

**NOTE:** Due to the weight and the size of this appliance, two people will be required to lift it up during the installation process.

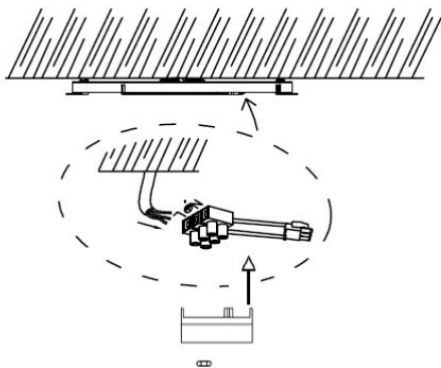
# INSTALLATION



Remove the mounting bracket from the product and use the mounting bracket as a template to mark the screw hole positions on the ceiling.




Install the mounting bracket onto the ceiling by using appropriately sized mounting screws and anchors. Ensure the screws and anchors used are suitable for the mounting surface and the surrounding environment.




Loosen the nut and remove the cover from the terminal block. Connect mains supply wire to the terminal block. Ensure the wires are secure and no bare wires are exposed.

## Mains Supply Wire

Earth – Yellow/Green   
 Neutral – Blue or Black  
 Live – Brown or Red

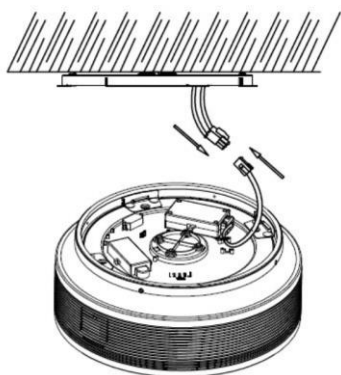
## Luminaire Wire / Terminal Block

Earth – Yellow/Green   
 Neutral – Blue or N  
 Live – Brown or L

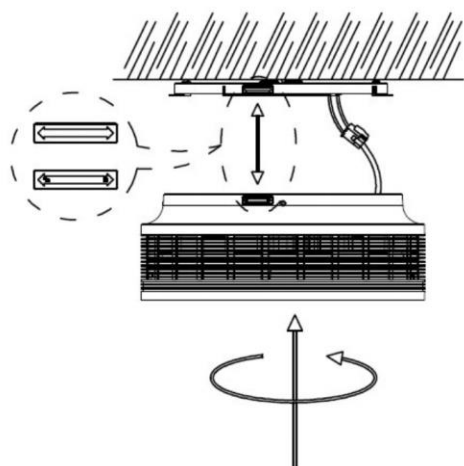
**NOTE: This is a Class I product and must be earthed during wiring and installation.**

**NOTE: Terminal block cover MUST be reinstalled and secured with the nut.**

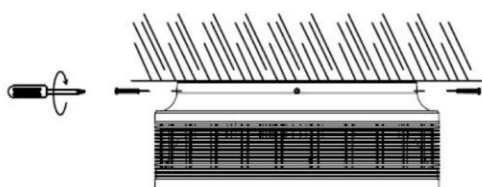
# INSTALLATION



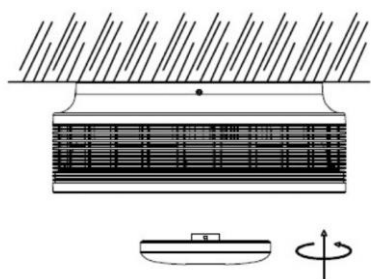
Connect the quick connector from the mounting bracket and the product together.



Install the product onto the mounting bracket by aligning the labels together and twist clockwise.



Secure the product onto the mounting bracket by securing the screws on the sides

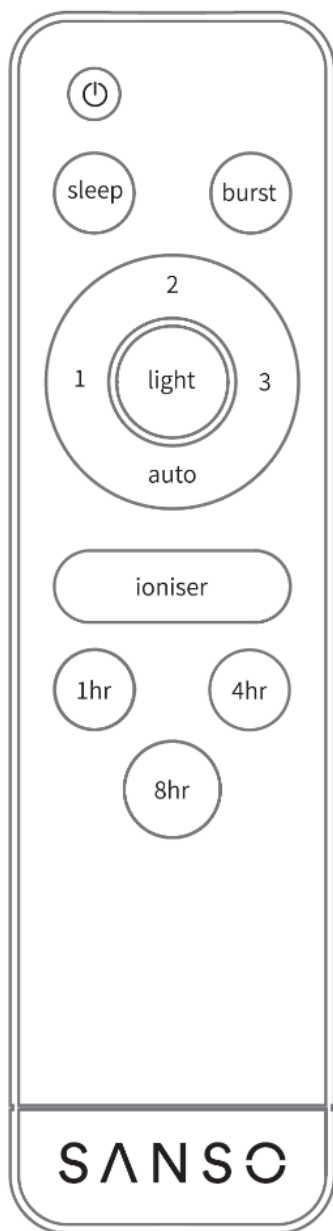


Install the GX53 lamp into the lamp holder.

# SANSO

Installation & User Guide

# USER GUIDE



Turn the air purifier OFF, including the time functions

**SLEEP** Air purifier will operate at speed 1 (lowest speed). The indicator light and GX53 lamp light will be turned off. The air purifier will turn off after 8 hours.

**BURST** Air purifier will operate at speed 3 (highest speed). The indicator light will be red and the air purifier will turn off after 15 minutes.

**1** Air purifier will operate at lowest speed.

**2** Air purifier will operate at medium speed.

**3** Air purifier will operate at highest speed.

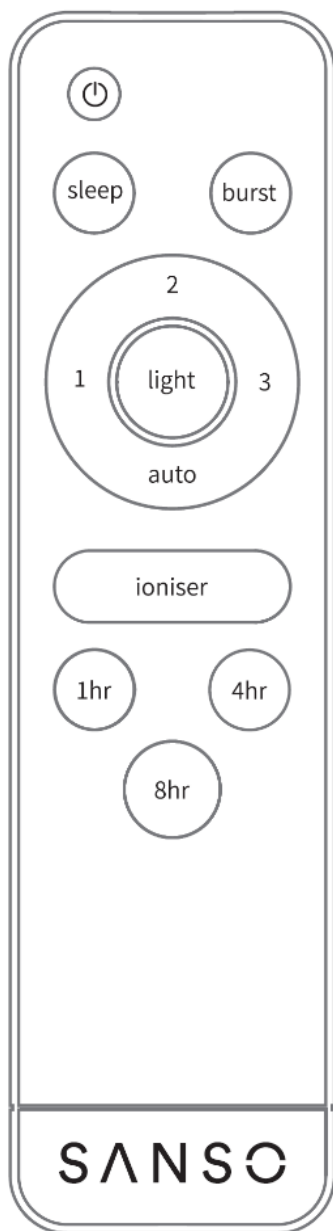
**AUTO** The sensor will detect the air quality and adjust the air purifier speed accordingly.

Green indicator light – Air quality is “good” and the air purifier will operate at speed 1 (lowest speed).

Blue indicator light – Air quality is “ok” and the air purifier will operate at speed 2 (medium speed).

Red indicator light – Air quality is “poor” and the air purifier will operate at speed 3 (highest speed).

# USER GUIDE



**LIGHT** Press button to turn GX53 lamp ON or OFF.  
Press the button again within 3 seconds to switch/cycle the status.

First switch: 350 lumens at 2700K  
(Sleep – Recommended setting at least 2 hours before bed)

Second switch: 1700 lumens at 2700K  
(Night – Recommended setting 6 hours before bed)

Third switch: 1800 lumens at 4000K  
(Day – Recommended setting on waking up and throughout the day)

Note: the GX53 Live Well globe provided has a built-in memory function and will return to your last used setting. To reset to default, press button on and off twice each rapidly within 1 second.

**IONISER** Press button to turn ON or OFF.

White indicator light – Ioniser has been turned ON.  
Indicator light will blink 3 times at 0.5 secs each time and return back to the original setting.

Red indicator light – Ioniser has been turned OFF.  
Indicator light will blink 3 times at 0.5 secs each time and return back to the original setting.

**1HR** Press button to turn OFF the air purifier in 1 hour.  
Green indicator light will blink 2 times

**4HR** Press button to turn OFF the air purifier in 4 hours.  
Blue indicator light will blink 2 times

**8HR** Press button to turn OFF the air purifier in 8 hours.  
Red indicator light will blink 2 times



# USER GUIDE



Sanso is provided with a HEPA 13 filter which has a suggested use time of 3000 hours, based on standard residential operating conditions.

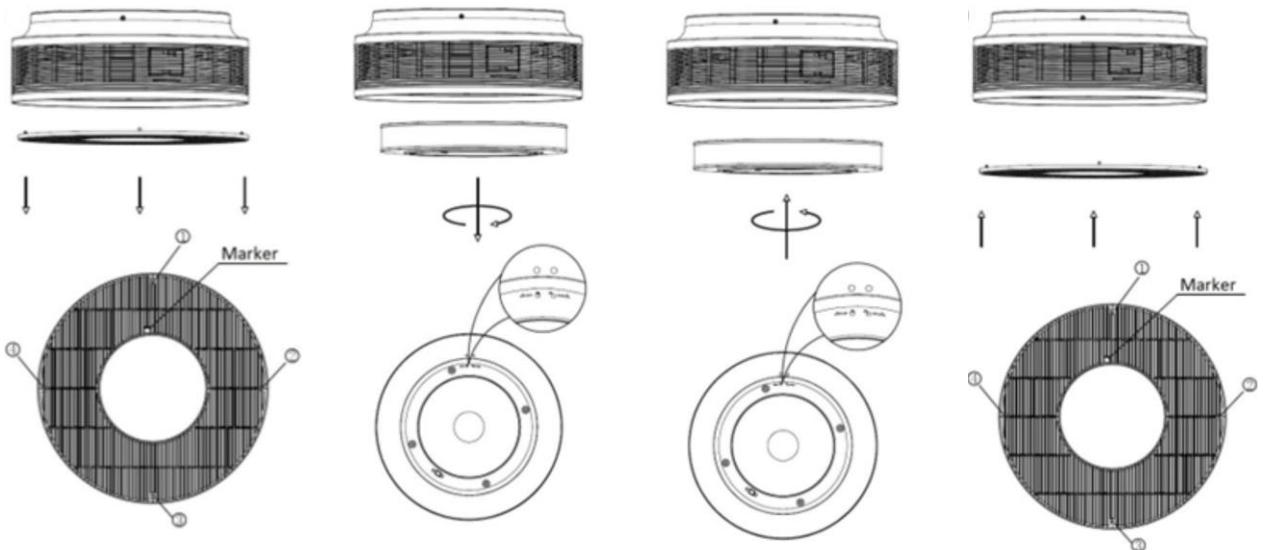
After 3000 hours, the indicator light will blink red until the filter is changed and/or the indicator is reset.

Take note of the marker position and carefully press the 4 tabs on the perimeter of the grille to remove the grille from the product.

Remove the filter from the product by twisting it clockwise.

Install the new filter into the product and twist anti-clockwise to secure and lock into the product.

Take note of the marker position and carefully install the grille back onto the product. Ensure the 4 tabs click and lock the grille back onto the product.



**To reset the filter replacement indicator, press and hold the 8hr button on the remote for 5 seconds. The indicator light will blink 3 times in green.**

LucciAR

v1.0 (09/2022)

# CARE AND MAINTENANCE

Always turn OFF the power at the mains switch before performing any maintenance or attempting to clean your appliance.

Clean the inlet & outlet of the appliance regularly. Wipe with a soft damp clean cloth only. DO NOT use any organic/corrosive chemical/solvents or abrasive cleaners etc.

Do not soak or immerse the product in the water or other liquids. It could damage the product and create the possibility of an electrical shock.

Clean the filter regularly. Use a dry cloth and gently wipe off any dust. Do not wash the filter with water. Do not use the vacuum cleaner to clean the filter. Replace the filter with a new one when the filter indicator light is on.

Always use this product in accordance with the instructions outlined in this manual.

SPECIFICATIONS		
SKU #	20258	20259
Colour	White	Black
Insulation Class	Class I	
IP Rating	IP20	
Rated Voltage	220-240V~ 50Hz	
Rated Wattage	35W (LED lamp: 18W, Air purifier: 16W, Ioniser: 1W)	
GX53 LED Lamp Specs	LEDlux Day Night Sleep 200mm GX53 lamp (included) First switch: 350 lumens at 2700K (Sleep) Second switch: 1700 lumens at 2700K (Night) Third switch: 1800 lumens at 4000K (Day)	
Dimensions	H:170mm Dia:448mm	
Weight	4.6kg	



Do not dispose of electrical appliances as unsorted municipal waste, use separate collection facilities. Contact your local government for information regarding the collection systems available. If electrical appliances are disposed of in landfills or dumps, hazardous substances can leak into the ground water and get into the food chain, damaging your health and well-being.

## CAUTION

Please read instructions carefully to ensure safe installation and operation.  
Please retain this user guide for future reference.