



FANAWAY CLASSIC CEILING FAN

- **INSTALLATION**
- **OPERATION**
- **MAINTENANCE**

CAUTION

**READ INSTRUCTIONS CAREFULLY FOR SAFE
INSTALLATION AND FAN OPERATION.**

THANK YOU FOR PURCHASING

Thank you for purchasing this quality Fanaway product. To ensure correct function and safety, please read and keep all instructions before using the product.

SAFETY PRECAUTIONS

1. In Europe: This appliance can be used by children aged from 8 years and above and persons with reduced physical, sensory or mental capabilities or lack of experience and knowledge if they have been given supervision or instruction concerning the use of the appliance in a safe way and understand the hazards involved. Cleaning and maintenance shall not be undertaken by children without supervision.
2. In Australia: The appliance is not intended for use by persons (including children) with reduced physical, sensory or mental capabilities, or lack of experience and knowledge, unless they have been given supervision or instruction concerning the use of the appliance by a person responsible for their safety.
3. Children should be supervised to ensure that they do not play with the appliance.
4. An all-pole disconnection switch must be incorporated into the fixed wiring, in accordance with local wiring rules.

IN AUSTRALIA

WARNING:

**FOR SAFE USE OF THIS FAN AN ALL-POLE DISCONNECTION
MUST BE INCORPORATED INTO THE FIXED WIRING IN
ACCORDANCE WITH THE WIRING RULES.**

As outline in clause 7.12.2 of AS/NZS 60335-1 for meeting the minimum electrical safety of this standard.

Please note warranty will be void if installation is without a means for an all-pole disconnection incorporated in the fixed wiring in accordance with the wiring rules.



Example: If a fan is connected to a circuit that can be isolated via an all-pole safety switch at the switchboard, then this is considered to be an all-pole disconnection to the ceiling fan electrical circuit, meeting the requirements of clause 7.12.2 of AS/NZS 60335.1.

A single-pole switch also must be placed in the same room as the fan as per local wiring regulations AS3000



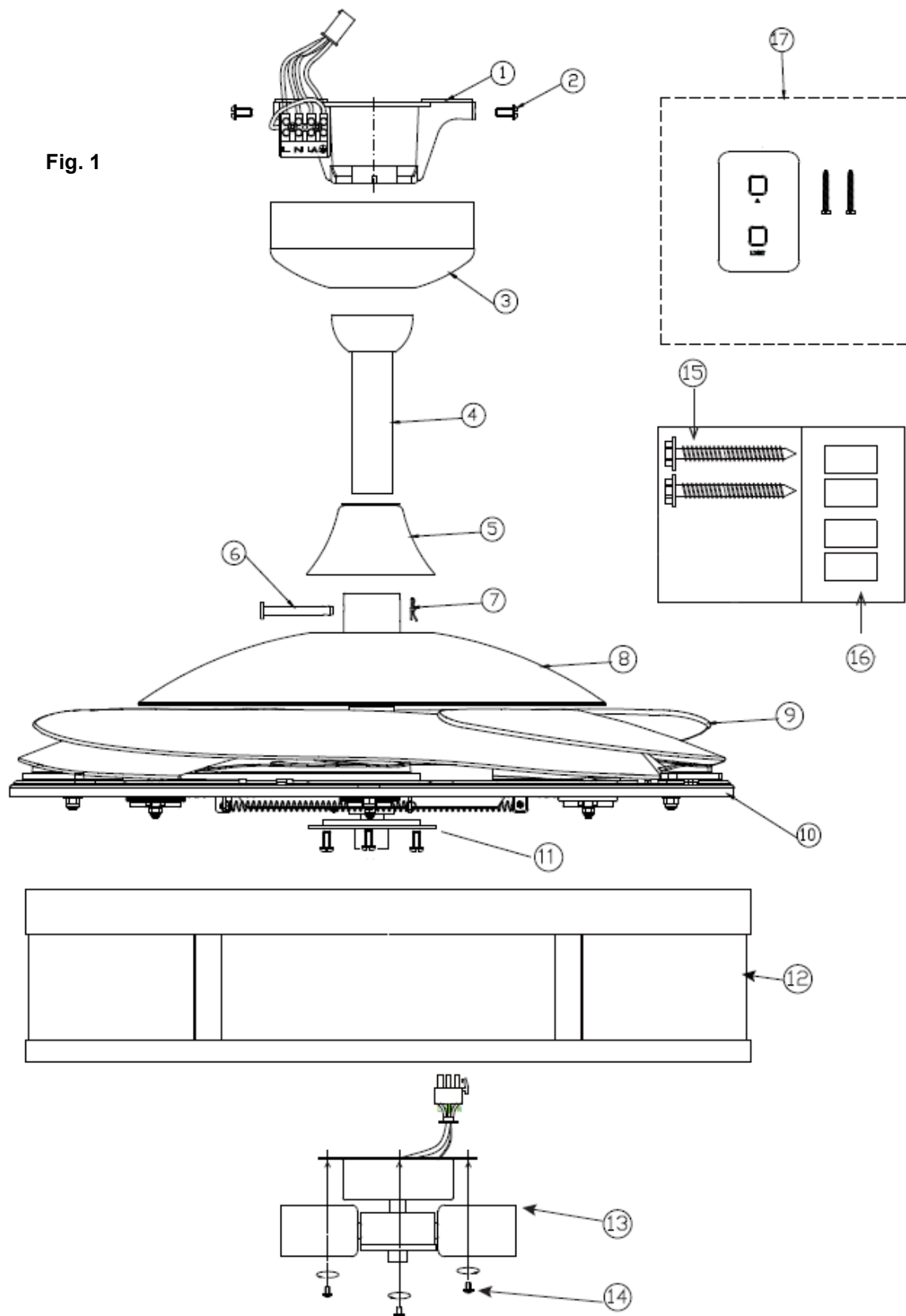
5. Do not dispose of electrical appliances as unsorted municipal waste, use separate collection facilities. Contact your local government for information regarding the collection systems available. If electrical appliances are disposed of in landfills or dumps, hazardous substances can leak into the ground water and get into the food chain, damaging your health and well-being.
6. The structure to which the fan is to be mounted must be capable of supporting a weight of 30kg.
7. The fan should be mounted so that the blades are at least 2.3m above the floor in Europe or 2.1m above the floor in Australia.
8. This fan is designed for indoor use only. Mounting the fan in a location where it is subject to water or moisture is dangerous and will void the warranty.
9. Only a licensed electrician should execute the installation.



BEFORE INSTALLATION

Unpack your ceiling fan and carefully identify the parts. Please refer to Fig 1.

Fig. 1



1	Mounting bracket x 1	10	Retraction mechanism x 1
2	Canopy screws x 4	11	Lamp base x 1
3	Canopy x 1	12	Lamp shade x 1
4	Down rod x 1	13	Light kit x 1
5	Bolt and pin cover x 1	14	Light kit screw x 3
6	Bolt x 1	15	Wooden screw x 2
7	Pin x 1	16	Balance tapes x 4
8	Top housing x 1	17	Wall switch x 1 set
9	Blades x 4		

INSTALLING THE MOUNTING BRACKET

- The ceiling fan must be installed in a location so that the blades are a minimum 300mm spacing from the tip of the blade to the nearest objects or walls.
- Secure the hanging bracket to the ceiling joist or structure that is capable of carrying a load of at least 50kg, with the two long screws provided. Ensure at least 30mm of the screw is threaded into the support.

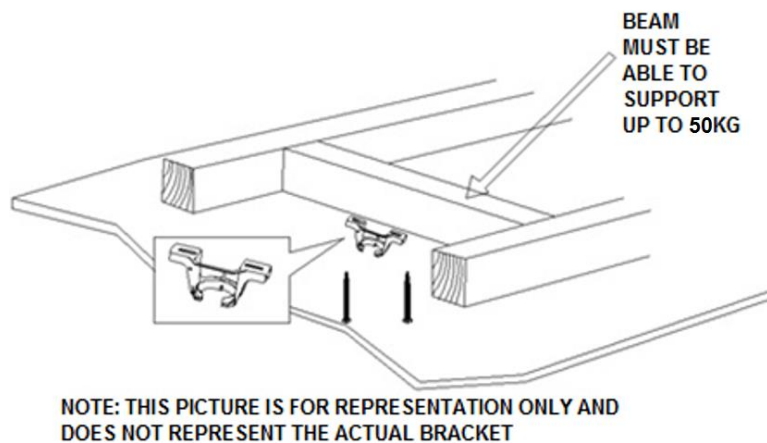


Fig. 2

NOTE: The bracket screws provided are for use with wooden structures only. For structures other than wood, the appropriate screw type **MUST** be used.

Angled Ceiling Installation

This fan hanging system supports a maximum **15** degree angled ceiling installation.

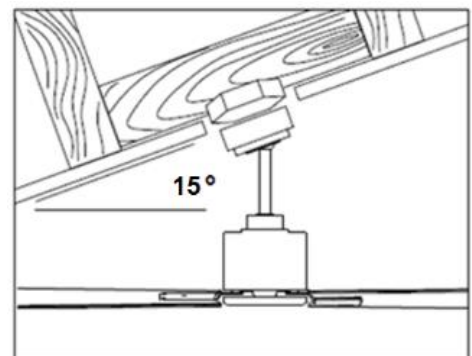


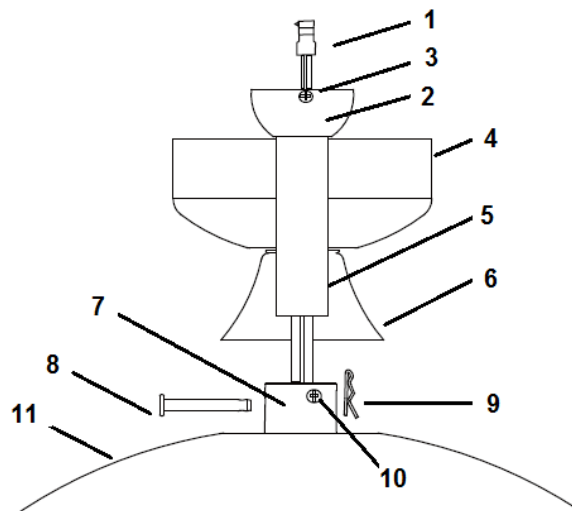
Fig. 3

INSTALLING THE FAN

Installing the down rod

- 1) Feed the down rod (5) through the canopy (4) and the bolt and pin cover (6).
- 2) Remove the ball joint (2) by loosening the set screw (3), insert the motor wires through the down rod then secure the ball joint back to the down rod.
- 3) Insert the down rod to the coupling (7), line up the coupling holes with the down rod holes and insert the bolt (8). Then insert the pin (9) to the end of the bolt.
- 4) Finally secure the down rod and coupling by tightening the two set screws (10) on the coupling.

Fig. 4



HANGING THE FAN

Lift the fan assembly onto the mounting bracket. Ensure the registration slot (A) of the hanger ball is positioned on the stopper (B) of the mounting bracket (C) to prevent the fan from rotating when in operation. (Fig.5)

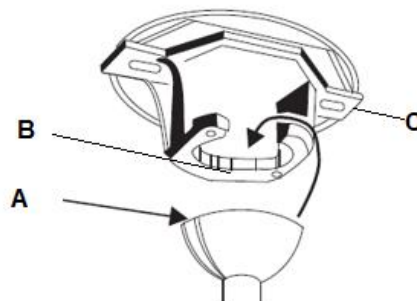


Fig. 5



FAN INSTALLATION

Light kit installation

1. Loosen the screw (1) from the lamp shade bracket (3). Align the two slot screws (2) with the keyhole slots of the lamp shade (4). Fig.6
2. Turn the lamp shade counterclockwise until the slot screws are firmly at the end of the slots.
3. Secure screw 1 back to the lamp shade bracket. Tighten all three screws. Do not over-tighten.

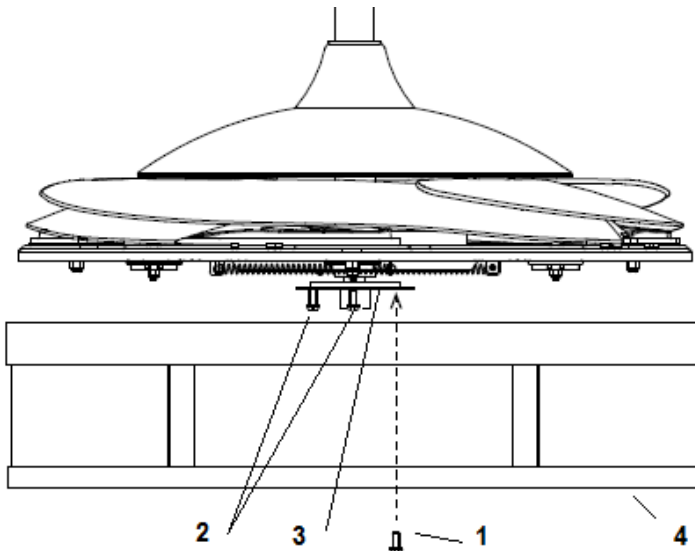


Fig. 6

4. Connect the plugs (8) together.
5. Loosen the screw (5) from the lamp shade (4). Align the two slot screws (6) with the keyhole slots of the light kit (7). Fig.7
6. Turn the light kit counterclockwise until the slot screws are firmly at the end of the slots.
7. Secure screw 5 back to the lamp shade. Tighten all three screws. Do not over-tighten.

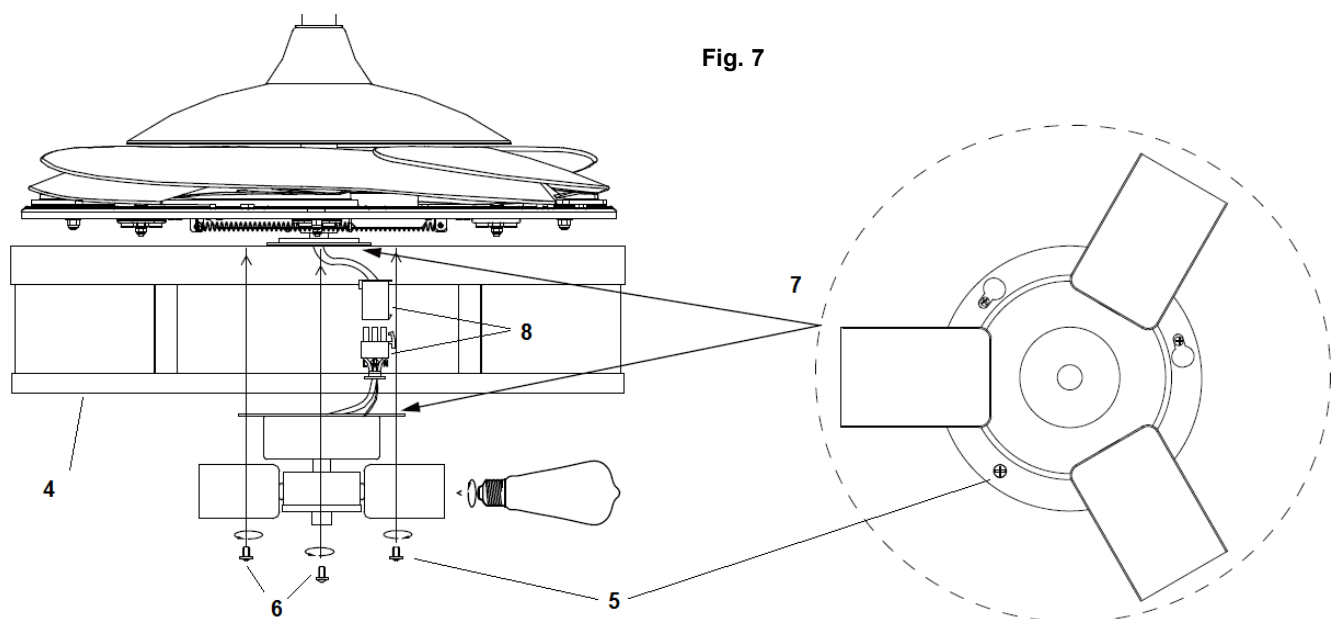


Fig. 7

ELECTRICAL WIRING DIAGRAM

WARNING: FOR YOUR SAFETY ALL ELECTRICAL CONNECTIONS MUST BE UNDERTAKEN BY A LICENSED ELECTRICIAN.

NOTE: AN ADDITIONAL ALL POLE DISCONNECTION MUST BE INCORPORATED IN THE FIXED WIRING IN ACCORDANCE WITH THE WIRING RULES.

USE WITH WALL SWITCH WIRING DIAGRAM:

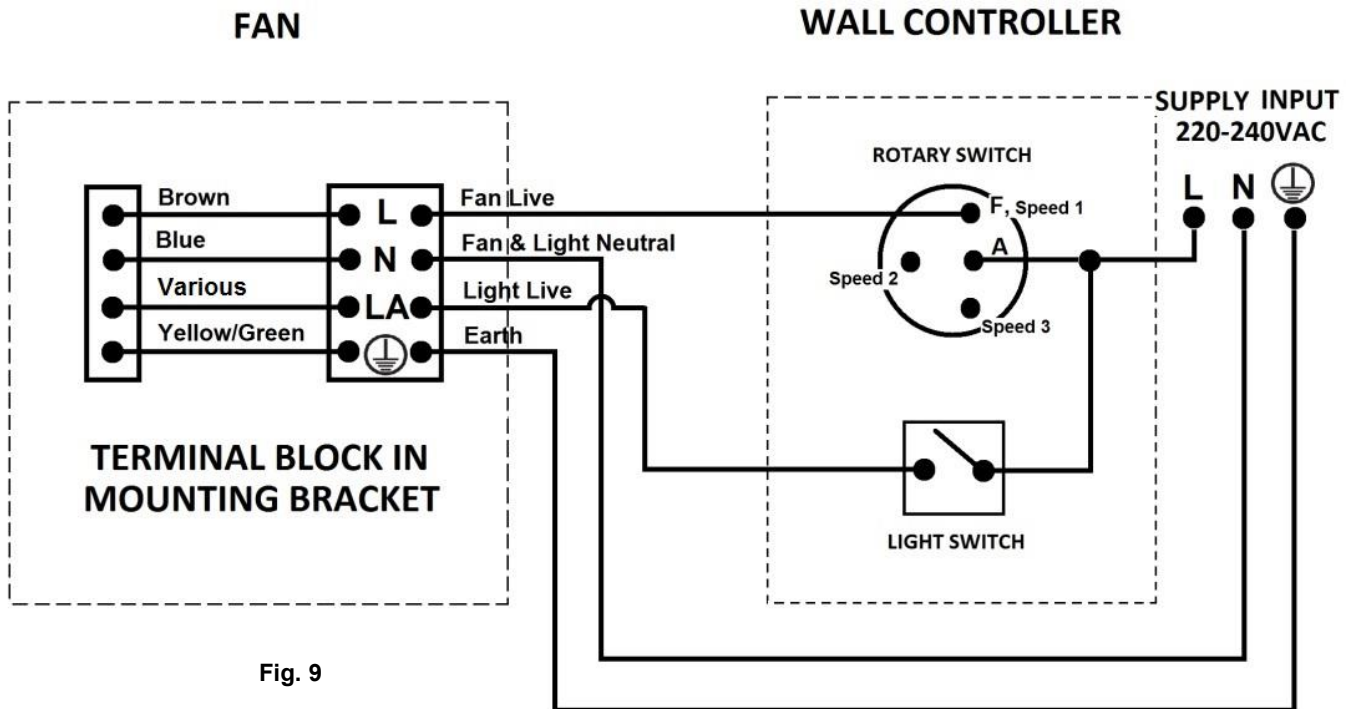


Fig. 9



USE WITH REMOTE WIRING DIAGRAM: (REMOTE sold seperately)

1/ Remote without plugs

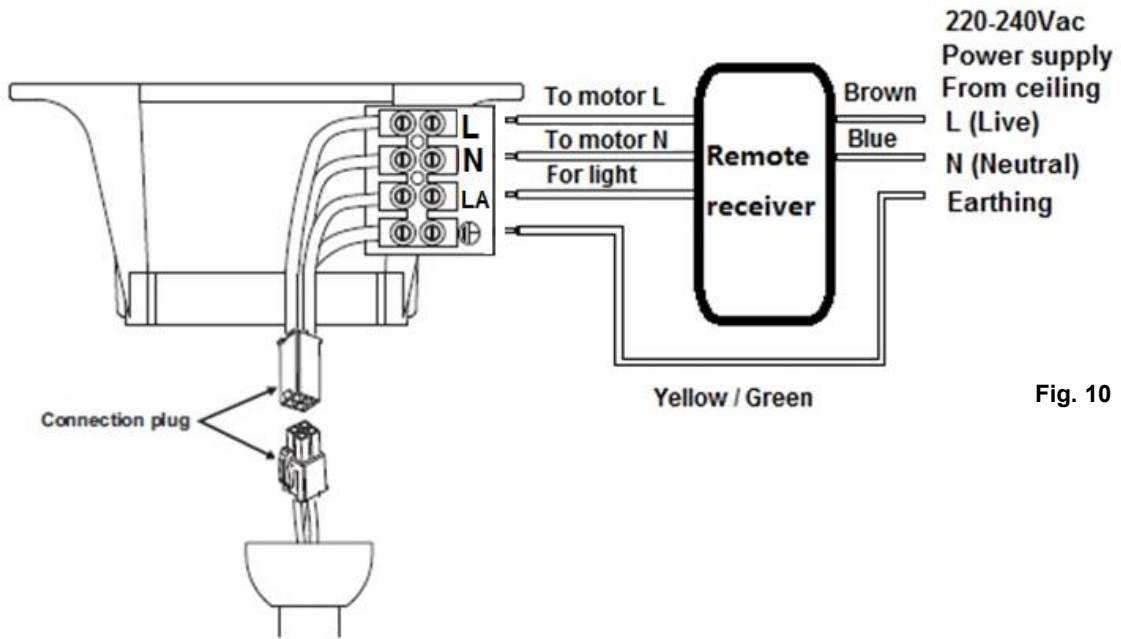


Fig. 10

2/ Remote with plugs

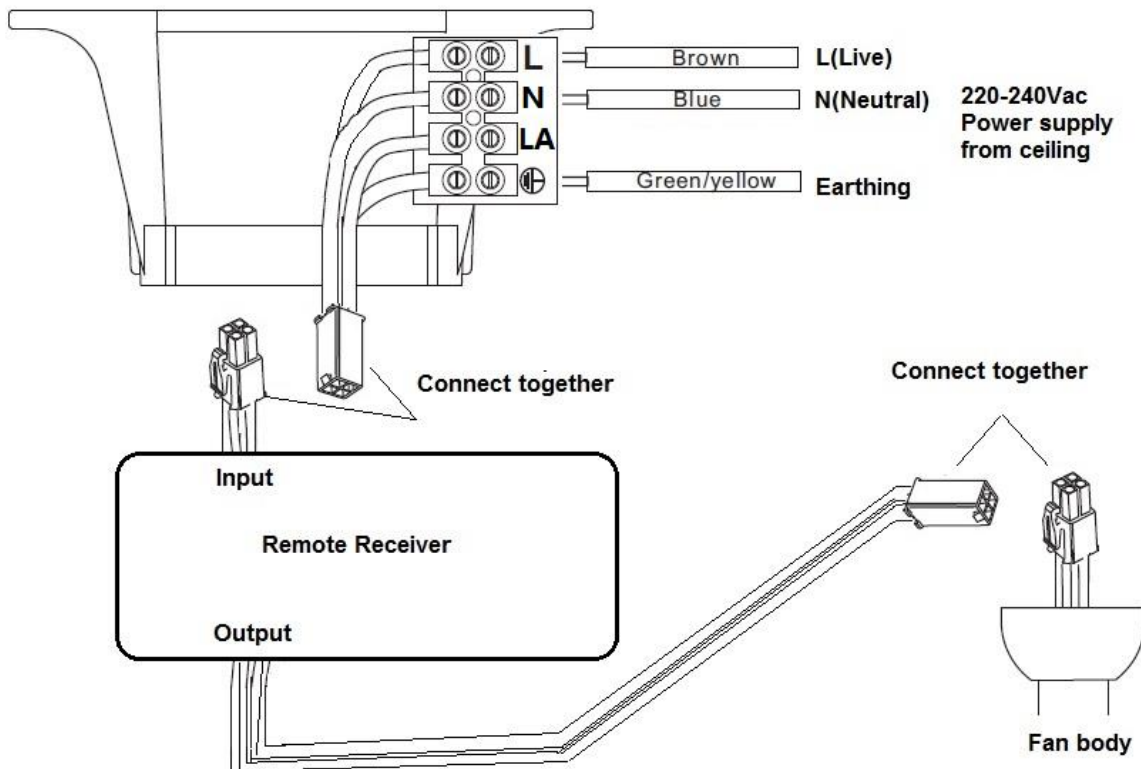


Fig. 11



FINISHING THE INSTALLATION

- After completing the electrical connection at the mounting bracket terminal block, connect the ceiling fan wiring via the quick connector plug.
- Cover the mounting bracket with the canopy. Ensure all electrical wiring is tucked inside the canopy and that the wires are not damaged during this step. Secure the canopy to the hanger bracket using the screws provided.

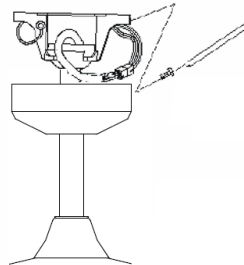


Fig. 12

USING YOUR CEILING FAN

FAN WALL CONTROL

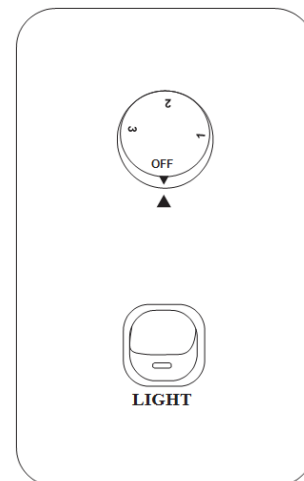
Turn on the power and check the operation of the fan.

- OFF Position – Fan Off
- 3rd Position – Low fan speed
- 2nd Position – Medium fan speed
- 1st Position – High fan speed

Light Control

- Toggle Switch – ON / OFF

Fig. 13



REVERSING SWITCH

Your ceiling fan can operate in either summer or winter mode.

SUMMER Mode: The reverse switch should be in the “LEFT” (SUMMER) position to rotate the fan in an anticlockwise direction. The airflow will be directed downwards, for cooling in summer.

WINTER Mode: The reverse switch should be in the “RIGHT” (WINTER) position to rotate the fan in a clockwise direction. The airflow will be directed upwards assisting in the circulation of warm air, for energy conservation in winter.



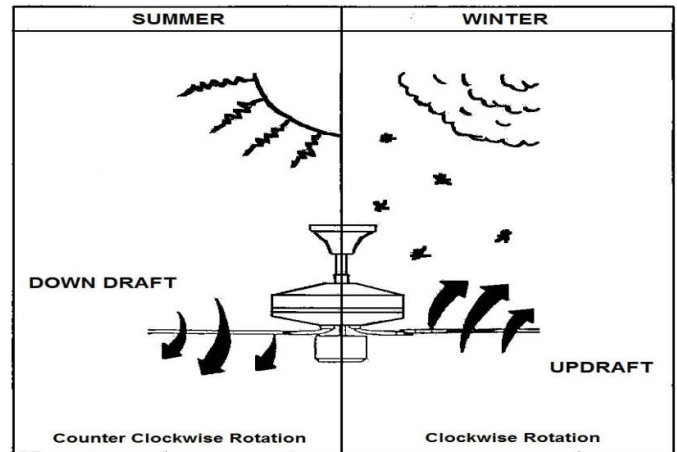
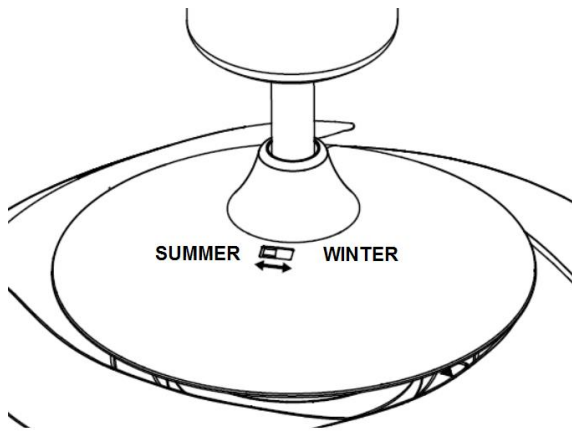


Fig. 14

AFTER INSTALLATION

WOBBLE:

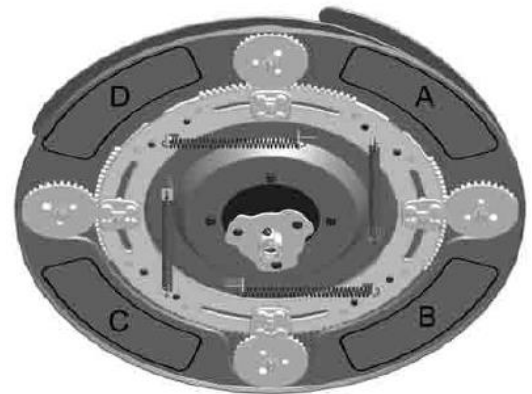
NOTE: ceiling fans tend to move during operation due to the fact that they are mounted on a rubber grommet. If the fan was mounted rigidly to the ceiling it would cause excessive vibration. Movement of a few centimetres is quite acceptable and DOES NOT suggest any problem.

TO REDUCE THE FAN WOBBLE: Please check that all screws which fix the mounting bracket and down rod are secure.

BALANCING A WOBBLING CEILING FAN:

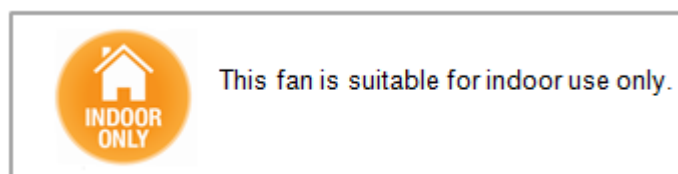
For your convenience, a Balancing Kit is included; please follow this procedure when balancing the fan:

- 1) Install the fan without the light kit before balancing the fan.
- 2) Define the base plate into four areas (point A, B, C and D). Use one weight from the balance kit to lightly stick on the edge of the base plate (point A), if the wobble worsens, then take off the balance kit and lightly stick it on the opposite side (point C); if the wobble is worse, then go to the adjacent point B or D, if the wobble gets lessens, then securely stick on the weight at this location on the base plate.
- 3) After balancing the fan, assemble the light kit to the light base.



NOISE:

When it is quiet (especially at night) you may hear occasional small noises. Slight power fluctuations and frequency signals superimposed in the electricity for off-peak hot water control, may cause a change in fan motor noise. This is normal. Please allow a 24-hour “breaking -in” period, most noises associated with a new fan disappear during this time. All electric motors are audible to some extent. Please note that this is not a product fault, and as such is not covered under warranty.



CARE AND CLEANING

- 1) Periodic cleaning of your ceiling fan is the only maintenance required. Use a soft brush or lint free cloth to avoid scratching the paint finish. Please turn OFF electricity power when you do so.
- 2) Do not use water when cleaning your ceiling fan. It could damage the motor or the blades and create the possibility of an electrical shock.
- 3) The motor has a permanently lubricated ball bearing so there is no need to oil.

NOTE: Always turn OFF the power and disconnect the female plug 1 and male plug 1 before attempting to clean your fan.

TECHNICAL INFORMATION

FAN models	Rated Voltage	Rated power (motor)	Light power
FANAWAY Classic Fan	220-240VAC	60W	3 X Max. 25W , E27

