

**LUCCI AIR
BALI
DC CEILING FAN**

- **INSTALLATION**
- **OPERATION**
- **MAINTENANCE**

CAUTION
READ INSTRUCTIONS CAREFULLY FOR SAFE
INSTALLATION AND FAN OPERATION.

THANK YOU FOR PURCHASING

Thank you for purchasing the latest in energy saving ceiling fans. This fan runs on DC (direct current) power which gives it the benefit of being super energy efficient whilst still maintaining high volume air-movement and silent operation.

Energy saving - The DC motor is the latest technology in fan design. Its highly efficient motor saves up to 65% more energy than ceiling fans with traditional AC motors.

Silent operation – This DC fan motor is programmed with a stabilised current which efficiently reduces motor noise.

Low operating temperature – The DC power is managed effectively which brings down the motor operating temperature to less than 50°C. This results in a much cooler motor than a standard AC fan and increases the longevity of the motor.

6 speed remote control - Regular AC ceiling fans usually come with only 3 speeds, this DC fan comes complete with a 6 speed remote, which gives a greater choice of comfort levels.

SAFETY PRECAUTIONS

1. The appliance is not intended for use by persons (including children) with reduced physical, sensory or mental capabilities, or lack of experience and knowledge, unless they have been given supervision or instruction concerning the use of the appliance by a person responsible for their safety.
2. Children should be supervised to ensure that they do not play with the appliance.
3. An all-pole disconnection switch must be incorporated into the fixed wiring, in accordance with local wiring rules.

WARNING:

FOR SAFE USE OF THIS FAN AN ALL-POLE DISCONNECTION MUST BE INCORPORATED INTO THE FIXED WIRING IN ACCORDANCE WITH THE WIRING RULES.

As outline in clause 7.12.2 of AS/NZS 60335-1 for meeting the minimum electrical safety of this standard.

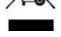
Please note warranty will be void if installation is without a means for an all-pole disconnection incorporated in the fixed wiring in accordance with the wiring rules.



Example: If a fan is connected to a circuit that can be isolated via an all-pole safety switch at the switchboard, then this is considered to be an all-pole disconnection to the ceiling fan electrical circuit, meeting the requirements of clause 7.12.2 of AS/NZS 60335.1.

A single-pole switch on the active of the receiver input of remote control must also be included in the wiring, and located the same room as the ceiling fan.



4.  Do not dispose of electrical appliances as unsorted municipal waste, use separate collection facilities. Contact your local government for information regarding the collection systems available. If electrical appliances are disposed of in landfills or dumps, hazardous substances can leak into the ground water and get into the food chain, damaging your health and well-being.
5. The structure to which the fan is to be mounted must be capable of supporting a weight of 45 kg.
6. The fan should be mounted so that the blades are at least 2.1m above the floor.
7. This fan is suitable for indoor and alfresco areas where the fan is fully undercover with a minimum of 2 walls. This fan is not waterproof. When installed in an alfresco area, the ceiling fan must be positioned in a location protected from water, wind, dust and salt. Exposure to these elements will void the warranty. Mounting the fan in a situation where it is subject to water or moisture is dangerous and may increase the risk of damage, injury or electrical shock.
8. Must be assembled and installed by a licensed electrician.
9. **WARNING:** If unusual wobbling or oscillating movement is observed, immediately stop using the ceiling fan and contact the manufacturer, its service agent or suitably qualified persons.
10. The replacement of parts of the safety suspension system device shall be performed by the manufacturer, its service agent or suitably qualified persons.
11. The fixing means for attachment to the ceiling such as hooks or other devices shall be fixed with a sufficient strength to withstand 4 times the weight of the ceiling fan; that the mounting of the suspension system shall be performed by the manufacturer, its service agent or suitably qualified persons.



PARTS LIST

- Unpack your ceiling fan carefully. Remove all parts and hardware.
- Lay out all the components on a smooth surface and make sure there are no components missing before assembling. If parts are missing, return the complete product to the place of purchase for inspection or replacement.
- Check whether the ceiling fan has been damaged during transport. Do not operate/install any product which appears damaged in any way. Return the complete product to the place of purchase for inspection, repair or replacement.
- Examine all parts, you should have the following:

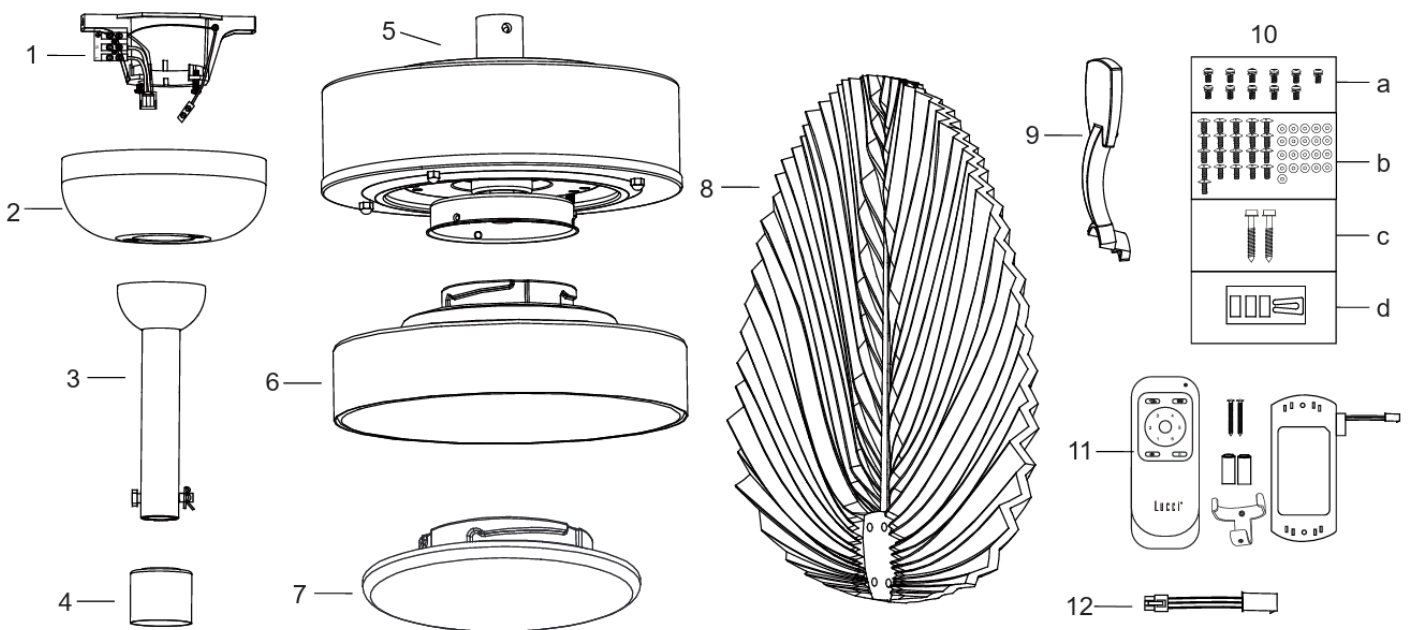


Fig. 1

1	Mounting bracket x1	8	Fan Blades x5
2	Canopy x1	9	Fan blade bracket x5
3	Down rod and ball joint x1	10a	Blade mounting screw x10 (1 spare)
4	Down rod coupling housing cover x 1	10b	Blade and bracket assembly screw and washer x 20 sets (1 Spare set)
5	Fan motor assembly x1	10c	Mounting bracket Screw x2
6	Light kit x1 (18W GX53 lamp is not included in the light kit, GX53 lamp is sold separately)	10d	Blade balancing kit x1 set
7	Non-Light decoration plate	11	Remote receiver and Remote controller, battery, holder x 1 set
12	Light kit extension cable x1pcs (For use with extension down rod)		



INSTALLING THE FAN

TOOLS REQUIRED:

- Phillips / flat head screwdriver
- Pair of pliers
- Adjustable spanner
- Step ladder
- Wire cutter
- Wiring, supply cable as required by local provincial and national wiring codes and regulations

INSTALLING THE MOUNTING BRACKET

- The ceiling fan must be installed in a location so that the blades are spaced 300mm from the tip of the blade to the nearest objects or walls.
- Install the hanging bracket to the ceiling joist or structure that is capable of carrying a load of at least 45 kg, with two long screws provided. Ensure at least 30mm of the screw is threaded into the support. (Fig. 2)

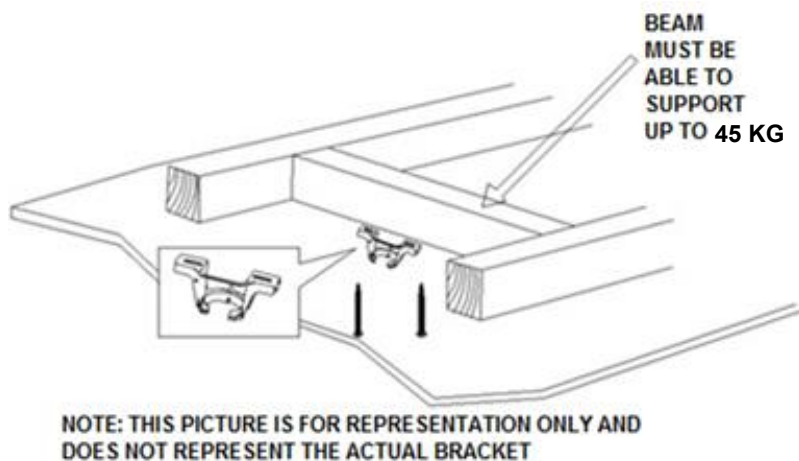


Fig. 2

NOTE: The bracket screws provided are for use with wooden structures only. For structures other than wood, the appropriate screw type **MUST** be used. Ensure the screws used are suitable for the mounting surface and the surrounding environment.

ANGLED CEILING INSTALLATION

This fan hanging system supports a maximum 10 degree angled ceiling installation. (Fig. 3)

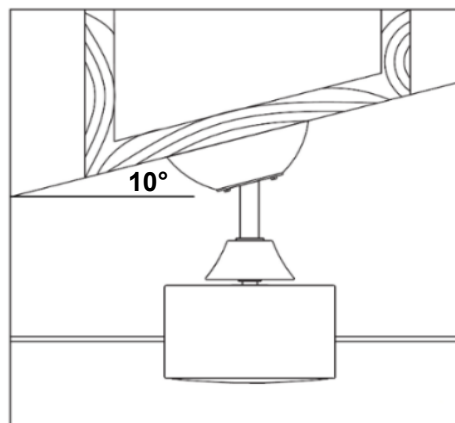


Fig. 3



INSTALLING THE DOWN ROD (Fig. 4)

1. Remove the ball joint (2) and dowel pin (3) by loosening the set screws (4) from the down rod (6). Remove the hitch pin (9) by removing the lock clip (10). **NOTE: Do not discard keep these parts, they are required to reassemble later. (Fig. 4.1)**

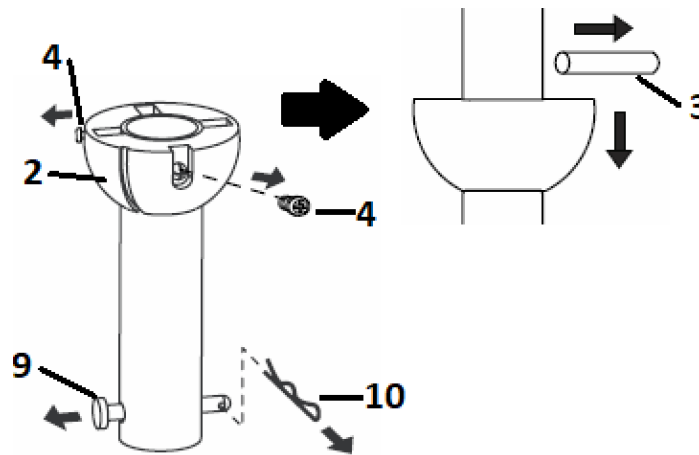


Fig. 4.1

2. Loosen the set screws (11) on the down rod coupling housing (8). (Fig. 4.2)
3. Carefully feed the fan wires (1) up through the down rod (6). (fig. 4.3)
4. Assemble the down rod (6) into the down rod coupling housing (8), by inserting and line up the down rod coupling housing holes with the down rod holes and insert the hitch pin (9) and secure with the lock clip (10). (Fig. 4.3)
5. Secure the down rod (6) by tightening the set screws (11). (Fig. 4.4)

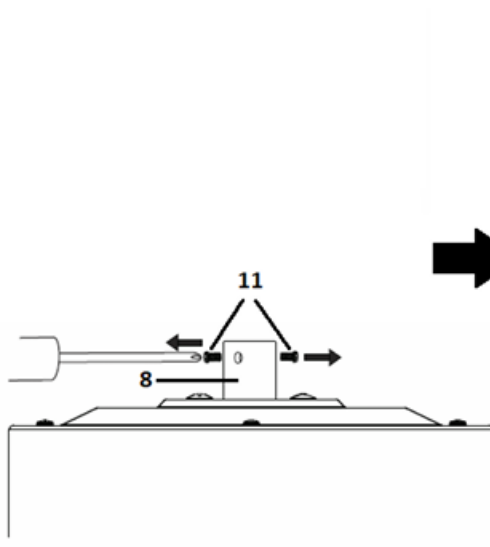


Fig. 4.2

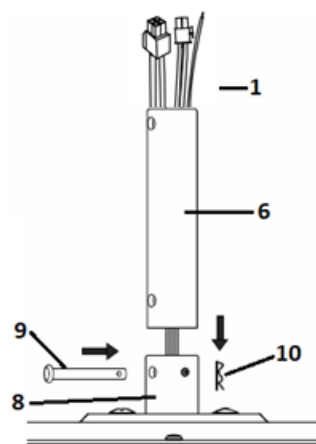


Fig. 4.3

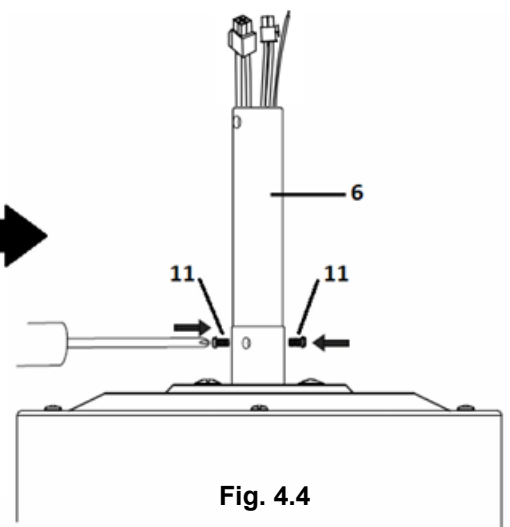
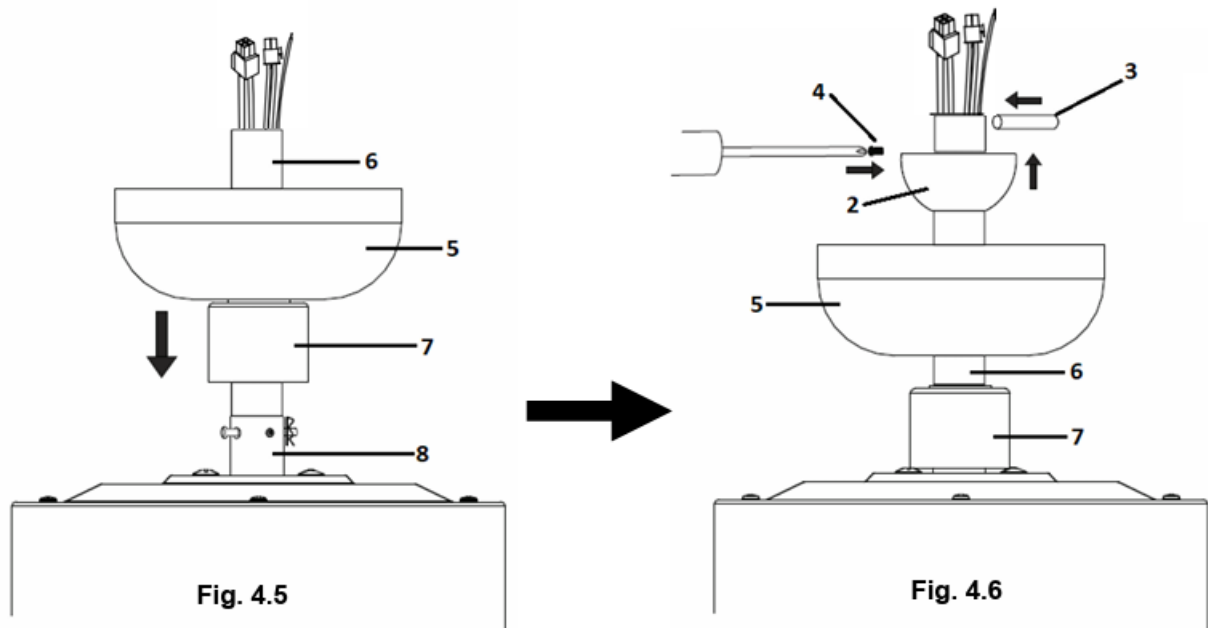


Fig. 4.4

6. Insert the decorative cover (7) onto the down rod (6) to cover the down rod coupling housing (8). (Fig. 4.5)
7. Insert the canopy (5) over the down rod (6) and install the ball joint (2) and dowel pin (3) back onto the down rod (6) and secure by tightening the set screws (4). (Fig. 4.5 and Fig. 4.6)





INSTALLATION OF BLADE (Fig. 5)

1. Assemble the fan blades to the fan blade bracket by tightening the 4 blade screws and washers. Take note the correct side of the blades with the marking "THIS SIDE UP" is on the screw head side. (Fig. 5.1).
2. Install the fan blade assembly to the fan assembly by the 2 screws and spring washer set. (Fig. 5.2)
3. Repeat the same process for the other blades.

Ensure all screws are tightened evenly to reduce the chance of warping or unbalancing. Take care not to over tighten the screws, as this can damage the blades.

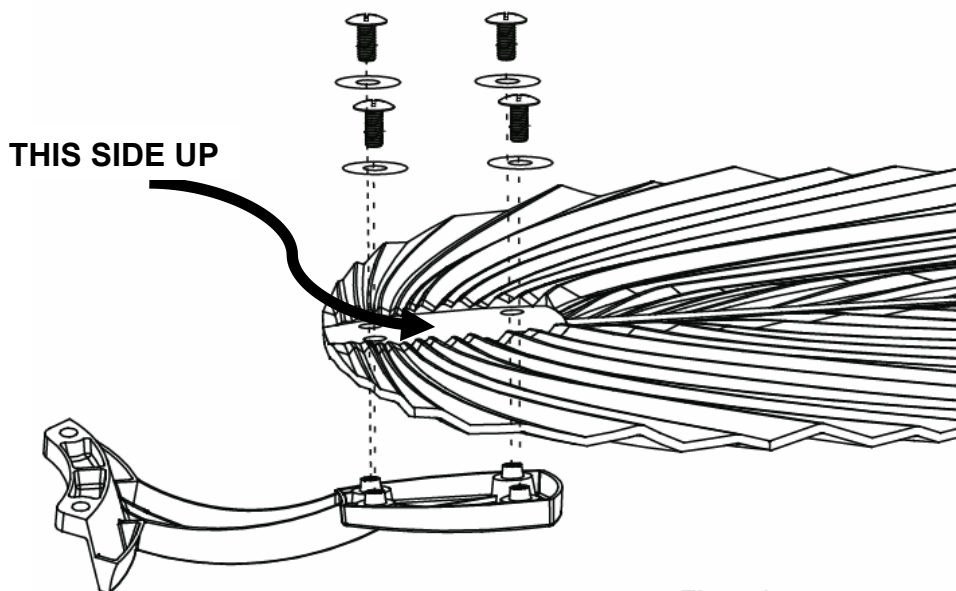


Fig. 5.1



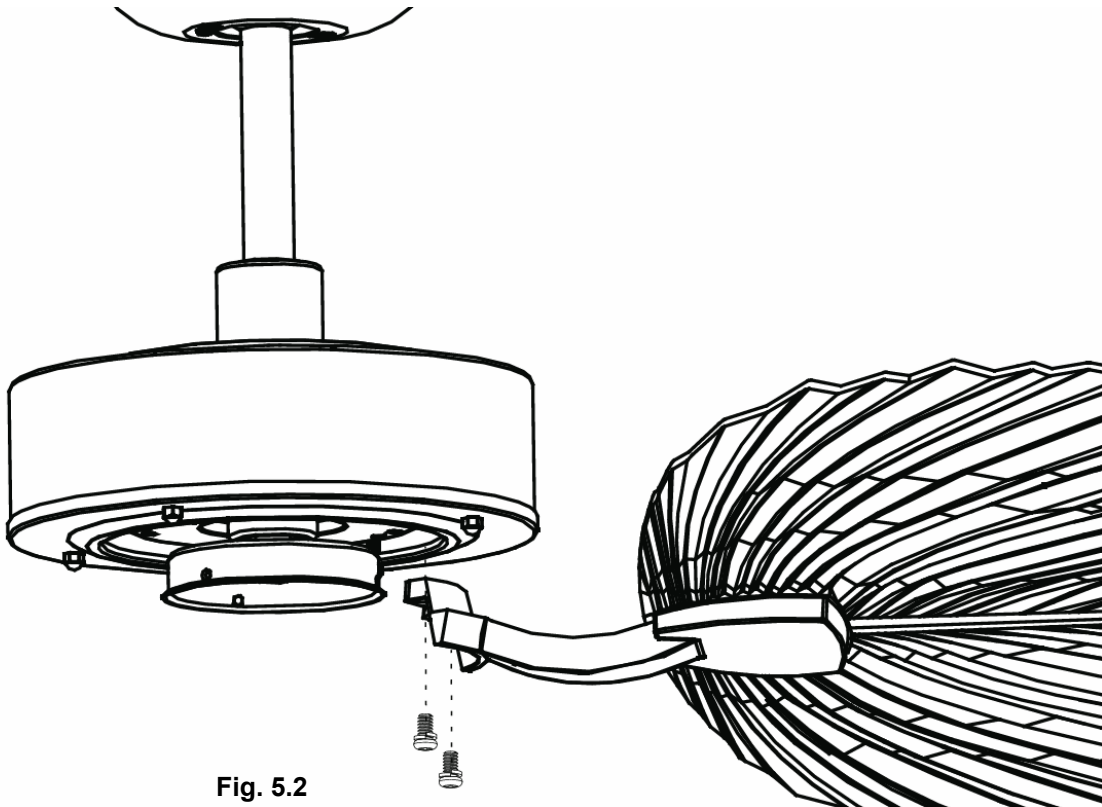


Fig. 5.2

INSTALLATION OF LIGHT KIT

NOTE: The light kit must be installed by a licensed electrician.

INSTALLATION OF LAMP (Fig. 6)

- **NOTE:** The GX53 lamp is not included in the light kit, the GX53 lamp is sold separately.
- Remove the lamp shade from the light kit.
- install the GX53 lamp onto socket.
- Install the lamp shade back onto the light kit.

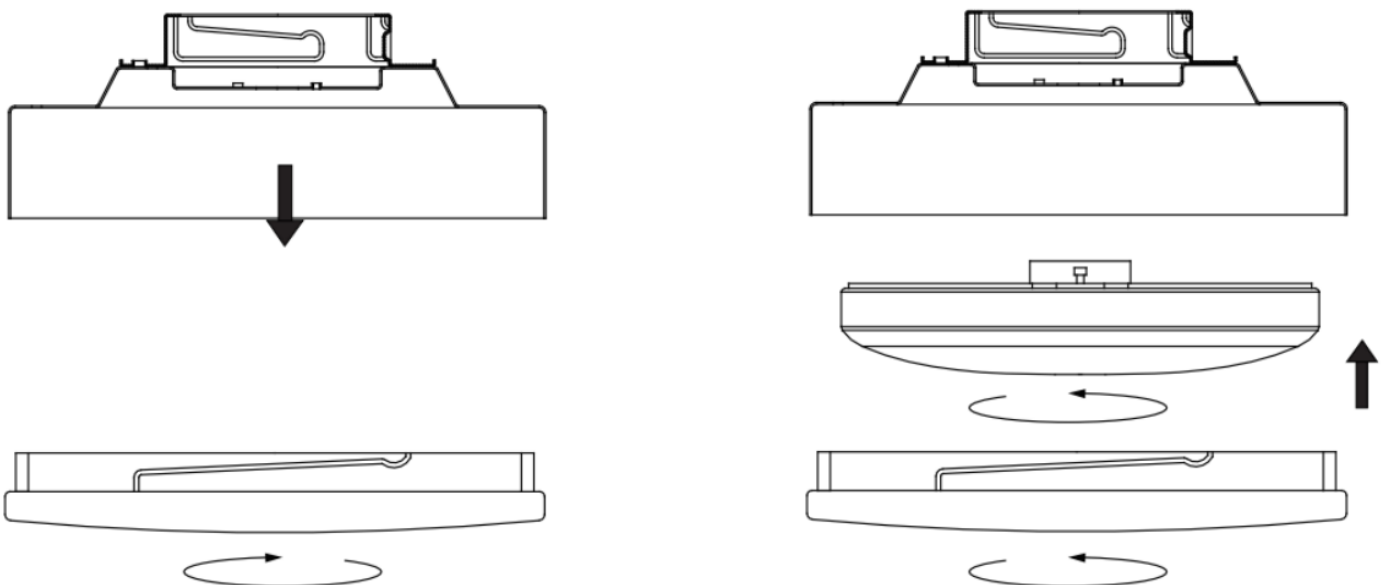


Fig. 6



- Connect the wires of light kit to the fan assembly via the quick connector. (Fig. 7)
- Install the light kit on the fan assembly then secure it by turning clockwise. (Fig. 7)

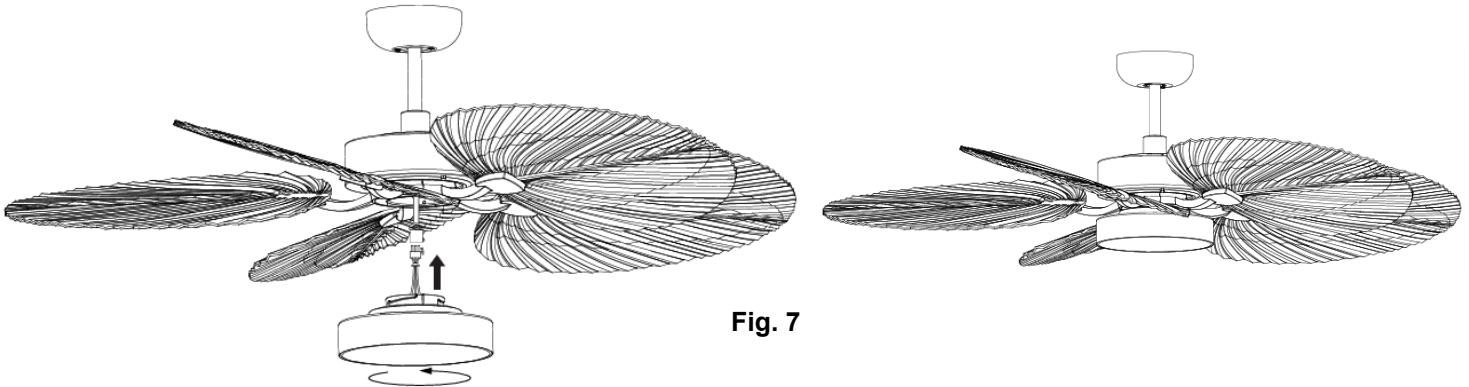


Fig. 7

INSTALLATION OF Non-Light decoration plate (Fig. 8)

If no light kit is required, install Non-Light decoration plate

- Remove the light kit from the fan assembly.
- Install the Non-Light decoration plate on the light kit bracket.

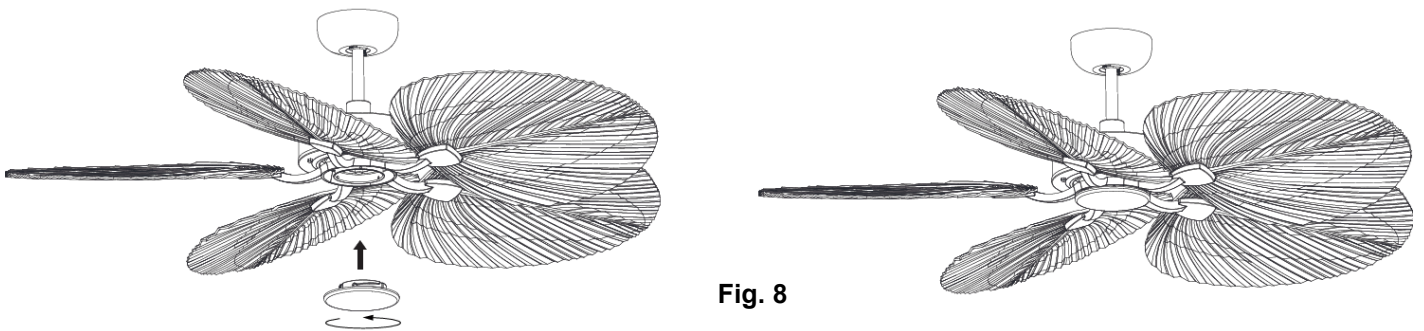


Fig. 8

HANGING THE FAN

Lift the fan assembly onto the mounting bracket. Ensure the key slot (A) of the hanger ball is positioned on the key pin (B) of the mounting bracket (C) to prevent the fan from rotating when in operation. (Fig. 9)

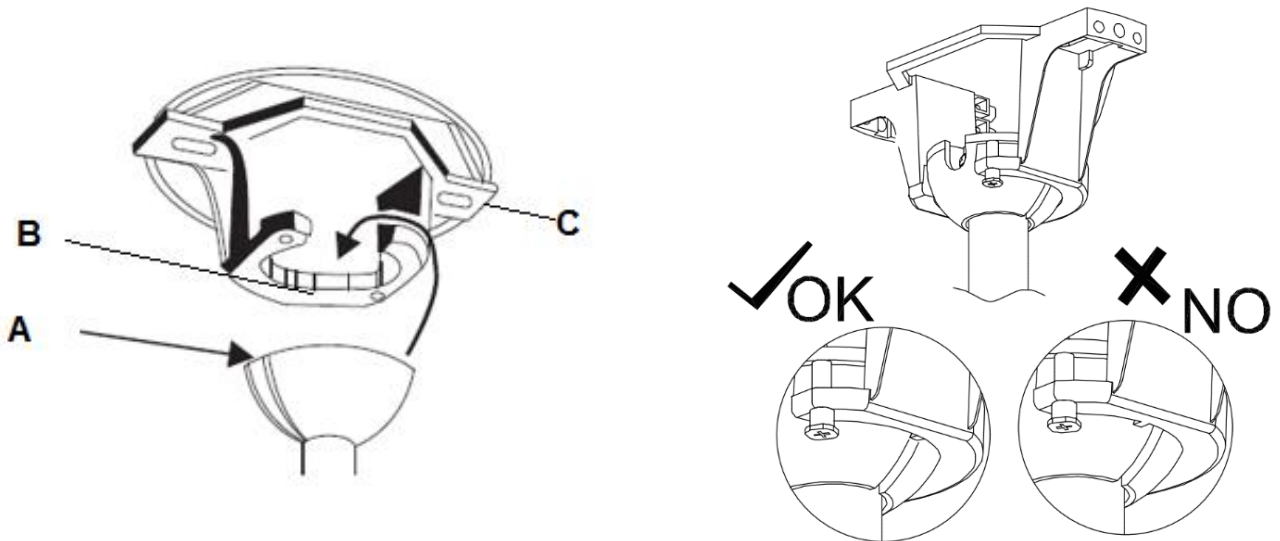


Fig. 9



This fan is suitable for indoor and alfresco areas where the fan is fully undercover with a minimum of 2 walls. This fan is not waterproof. When installed in an alfresco area, the ceiling fan must be positioned in a location protected from water, wind, dust and salt. Exposure to these elements will void the warranty. Mounting the fan in a situation where it is subject to water or moisture is dangerous.

ELECTRICAL WIRING DIAGRAM THE FAN**PREPARE AND COMPLETE THE ELECTRICAL WIRING --- WIRING DIAGRAM (FIG. 10)**

WARNING: FOR YOUR SAFETY ALL ELECTRICAL CONNECTIONS MUST BE UNDERTAKEN BY A LICENSED ELECTRICIAN.

NOTE: AN ADDITIONAL ALL POLE DISCONNECTION SWITCH MUST BE INCLUDED IN THE FIXED WIRING.

NOTE: IF THERE ARE TWO OR MORE DC CEILING FANS INSTALLED IN THE ONE LOCATION, AN ISOLATION SWITCH IS REQUIRED FOR EACH CEILING FAN. THIS IS REQUIRED WHEN PROGRAMMING THE REMOTE AND RECEIVER TO PAIR TOGETHER.

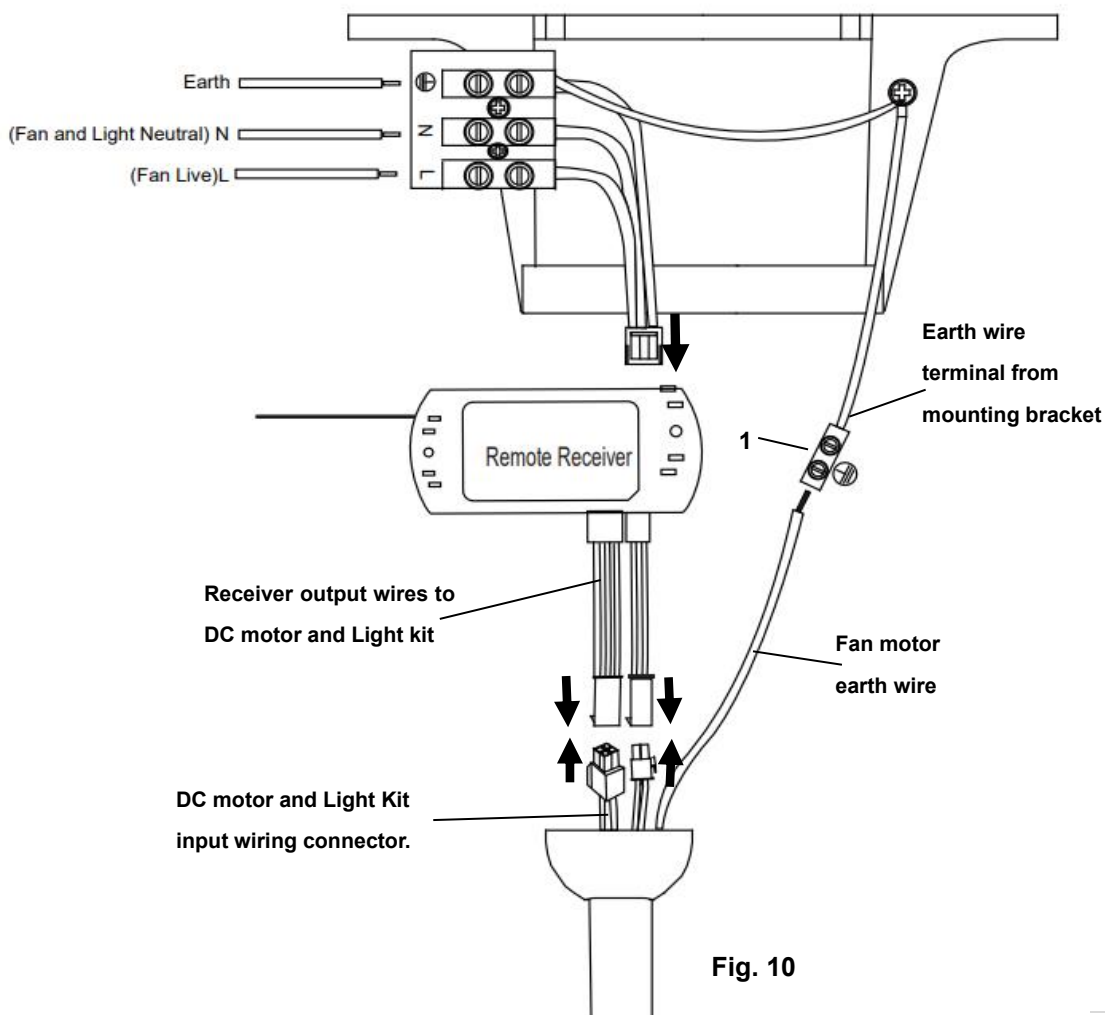
Ensure the motor earth wire is connected to the single earthing terminal block "1" in the diagram (Fig. 10)

From mains supply to mounting bracket terminal block: (Fig. 10)

1. Connect the live supply wire to the "L" terminal of the terminal block on the mounting bracket.
2. Connect the neutral supply wire to "N" terminal of the terminal block on the mounting bracket.
3. Connect earth wire to the earth terminal of the terminal block on the mounting bracket.

From mounting bracket to receiver and motor : (Fig. 10)

4. Connect the supply wiring from the mounting bracket to the input of the DC motor driver/receiver.
5. Connect the output wires of DC motor driver/receiver to the input wires of the fan motor and the light kit.
6. Connect the earth wire from the Fan motor to the earth terminal block from the mounting bracket.

**Fig. 10**

Carefully insert the Remote Receiver above the hanger ball in the remainder spacing in the mounting bracket. Take care not to damage or loosen any of the wiring. (Fig. 11).

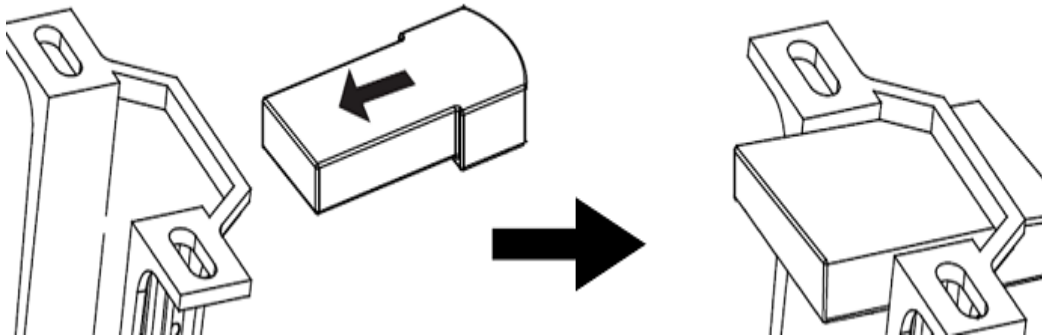


Fig. 11

FINISHING THE INSTALLATION

- After completing the electrical connection at the mounting bracket terminal block, connect the ceiling fan wiring via the quick connector plug.

NOTE: Ensure the earth wiring is secure and correct, by performing an earthing continuity test from the fan's accessible metal body back to the earth terminal at the terminal block on the mounting bracket.

INSTALLATION OF THE CANOPY (Fig. 12)

1. Loosen the 2 screws at the bottom of the mounting bracket.
2. Slide the canopy up to the mounting bracket and align the key holes on the canopy with the screws on the mounting bracket. Turn the canopy until it locks into place with the narrow section of the key holes and secure it

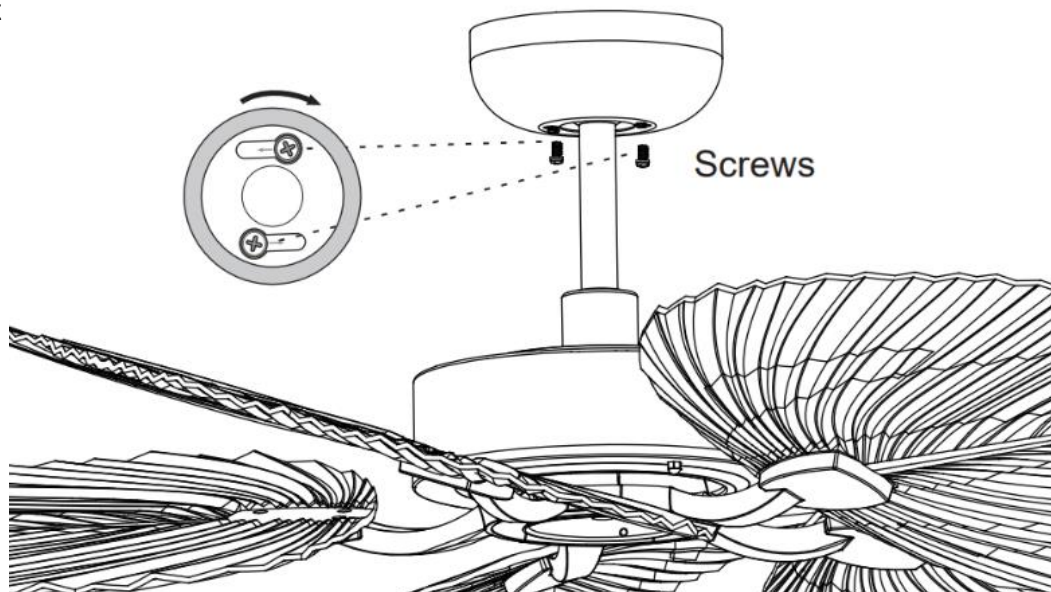


Fig. 12



INSTALLATION OF THE REMOTE CONTROL HOLDER (Fig. 13)

1. Locate a suitable wall to fix the remote control holder with the 2 screws. (Fig.13a).
2. Slide the remote into the holder. (Fig. 13b)

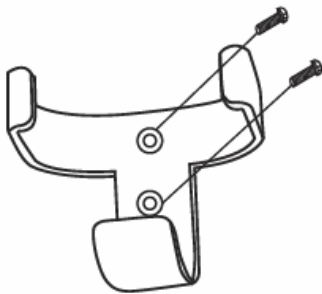


Fig. 13a



Fig. 13b

USING YOUR CEILING FAN


NOTE: The remote and receiver will need to be paired after the installation of the ceiling fan.

NOTE: When two or more ceiling fans are installed in one location, please refer to the instruction on the next page.

PAIRING REMOTE & RECEIVER – WHEN 1 DC CEILING FAN IS INSTALLED IN ONE LOCATION

NOTE: Ensure that you have installed a single pole disconnection switch in the fixed wiring for the fan.

NOTE: Ensure power to the receiver is ON prior to pairing the remote with the receiver.

- Turn OFF the mains supply to the fan by on/off wall switch.
- Install the batteries into the remote. Please make sure the polarity of the battery is correct.
- Turn ON the power to the receiver.
- Press and hold the  button on the remote for 3-5 seconds within 30 seconds of switching the power ON to the receiver of the ceiling fan.
- There will be a notification 'beep' sound from the receiver to indicate that the pairing process is successful.
- Turn ON the fan and change the speed of the ceiling fan via the remote to check the operation and successful pairing.
- If pairing has been unsuccessful, repeat these set of steps again




PAIRING REMOTE AND RECEIVER – WHEN 2 OR MORE DC CEILING FANS ARE INSTALLED IN ONE LOCATION

When two or more ceiling fans are located near each other, you may desire to have the remote/receiver for each fan paired so that the operation of one fan does not affect the operation of the other fans.


NOTE: Ensure that you have installed a single pole disconnection switch in the fixed wiring for each fan.

NOTE: Ensure power to the Receiver is **ON** prior to pairing the remote with the receiver.

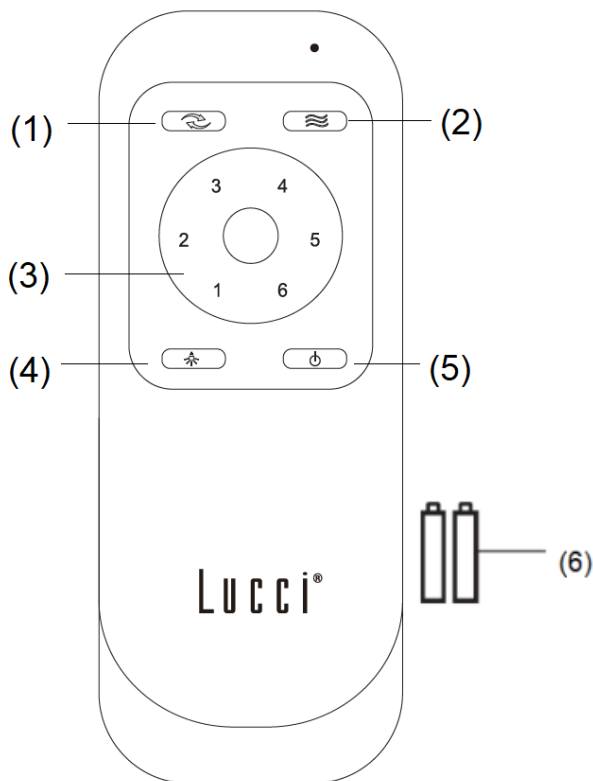
Remote / Receiver pairing for ceiling fan 1:

- Turn OFF the mains supply to the receivers of both ceiling fans 1 and 2.
- Install the batteries into the remote. Please make sure the polarity of the battery is correct.
- Turn ON the power to receiver 1. Keep the power OFF to receiver 2. (Each ceiling fan must have its own isolation switch, so that only the ceiling fan that needs to be paired with the remote will be ON).
- Press and hold the “” button of **remote 1** for 3-5 seconds within 30 seconds of switching the power ON to the receiver of ceiling fan 1.
- There will be a notification ‘beep’ sound from the receiver to indicate that the pairing process is successful.
- Turn ON the fan and change the speed of the ceiling fan 1 by the remote to check the operation and successful pairing.
- If pairing has been unsuccessful, repeat these set of steps again

Remote / Receiver pairing for Ceiling fan 2:

- Turn OFF the mains supply to the receivers of both ceiling fans 1 and 2.
- Install the batteries into the remote. Please make sure the polarity of the battery is correct.
- Turn ON the power to receiver 2. Keep the power OFF to receiver 1. (Each ceiling fan must have its own isolation switch, so that only the ceiling fan that needs to be paired with the transmitter will be ON).
- Press and hold the “” button of **remote 2** for 3-5 seconds within 30 seconds of switching the power ON to the receiver of ceiling fan 2.
- There will be a notification ‘beep’ sound from the receiver to indicate that the pairing process is successful.
- Turn ON the fan and change the speed of ceiling fan 2 by the remote to check the operation and successful pairing.
- If pairing has been unsuccessful, repeat these set of steps again



REMOTE CONTROL (Fig. 14)

- (1) Reverse control
 (2) Natural wind (The fan speed automatic cycle between 1 to 6 speed)
 (3) Speed control
 There are 6 available speeds. "1" button is for the lowest speed, and "6" button is for the highest speed.
NOTE: when you turn on the fan for the first time or switch the main power to the controller, you need to start the fan on high "6" speed first and then choose a lower speed. A 5-10 seconds is required to allow the DC fan to respond to the remote each speed or fan direction selection.
 (4) Light On/Off
 (5) Fan On/Off
 (6) 1.5V AAA battery x 2 pcs (Included)

Fig. 14

The LED light (GX53 lamp is not included, the GX53 lamp is sold separately) has a 3-step dimmable function which is controlled by an ON/OFF switch.

When the LED light is ON and at 100% brightness, press the light button "ON and then OFF within 5 seconds", to dim the LED light. Repeat pressing ON and then OFF within 5 seconds to dim further in the following sequence: 100% brightness → 50% brightness → 15% brightness → 100% brightness.

To switch back to 100% brightness at any stage, turn OFF the luminaire, and then wait after 5 seconds turn ON the luminaire, it will reset to 100% brightness.

The remote has memory function. If the fan or light is turned off by the isolating switch over 7 seconds, the next time to turn on the fan or light will be on last setting



Reverse function

Your ceiling fan can operate either in fan (summer) mode or reverse fan (winter) mode. Use the "reverse control" button on the remote to switch between summer and winter mode.

Summer mode: The fan will rotate in an anticlockwise direction. The airflow will be directed downwards, for cooling in summer.

Winter mode: The fan will rotate in a clockwise direction. The airflow will be directed upwards, for energy conservation, ensuring an even temperature throughout your room during winter.

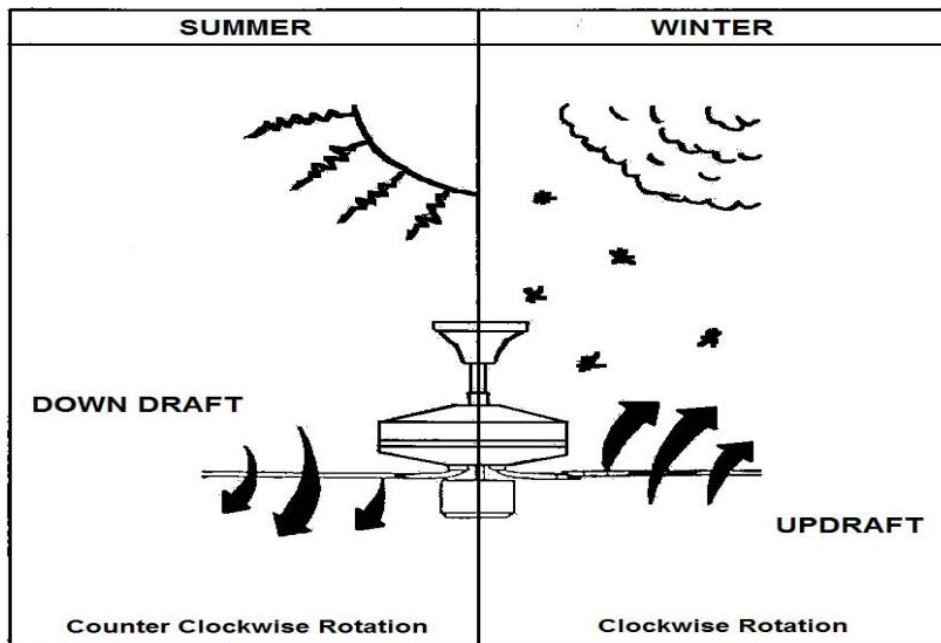


Fig. 15

REPAIRING THE REMOTE & RECEIVER PAIRING – WHEN 1 CEILING FAN IS INSTALLED

- If the remote and receiver lose control after installation or during use, the pairing of the remote and the receiver must be repaired.
- Below are the operating symptoms and the steps to repair the pairing of the remote and receiver.

Symptoms:

- Loss of control - Fan is only running at high speed after installation
- Loss of control - No reverse function after installation
- Loss of control - Remote cannot communicate with the receiver

Repairing Steps:

- Switch OFF the main power to the ceiling fan for 30 seconds.
- Switch ON the main power of the ceiling fan. Follow the same process as described in the 'Pairing remote & receiver' section to repair the pairing.
- Turn on and select the different speed of the ceiling fan to check the operation of the fan.



AFTER INSTALLATION

NOTE: Ceiling fans tend to move during operation due to the fact that they are mounted on a rubber grommet. If the fan was mounted rigidly to the ceiling it would cause excessive vibration. Movement of a few centimetres is quite acceptable and DOES NOT suggest any problem.

TO REDUCE THE FAN WOBBLE: Please check that all screws which fix the mounting bracket and down rod are secure.

BALANCING KIT: A balancing kit is provided to balance the ceiling fan on initial installation. Please refer to the instruction on how to use the balancing kit. The balancing kit can be used to assist re-balancing should the ceiling fan become un-balanced again. Store your balancing kit away after installation for future use if required.

NOISE:

When it is quiet (especially at night) you may hear occasional small noises. Slight power fluctuations and frequency signals superimposed in the electricity for off-peak hot water control, may cause a change in fan motor noise. This is normal. Please allow a 24-hour “settling-in” period, most noises associated with a new fan disappear during this time.

The manufacturer’s warranty covers actual faults that may develop and NOT minor complaints such as hearing the motor run – All electric motors are audible to some extent.

CARE & CLEANING

NOTE: Always turn OFF the power at the mains switch before performing any maintenance or attempting to clean your fan.

- Every 6 months periodic cleaning of your ceiling fan is the only maintenance required. Use a soft brush or lint free cloth to avoid scratching the paint finish. Please turn off electricity power when you do so.
- Do not soak or immerse your ceiling fan in the water or other liquids. It could damage the motor or the blades and create the possibility of an electrical shock.
- Ensure that the fan does not come in contact with any organic solvents or cleaners.
- To clean the fan blade, wipe with only a damp clean cloth with NO organic solvents or cleaners.
- The motor has a permanently lubricated ball bearing so there is no need to oil.



SAFETY PRECAUTIONS FOR BATTERY

- **WARNING** – Keep new and used batteries away from children.
- **CAUTION** – Do not ingest battery—Chemical burn hazard.
- Always use 2 x AAA battery type with this ceiling fan remote controller.
- Ensure the batteries are inserted with the correct polarity.
- To prevent false operation during battery insertion or replacement, this ceiling fan must be disconnected from the supply mains.
- non-rechargeable batteries are not to be recharged;
- different types of batteries or new and used batteries are not to be mixed;
- Remove batteries from the product when not in use for long periods of time.
- Batteries must be removed from the remote transmitter before it is discarded.
- Dispose of exhausted batteries immediately and safely (so they cannot be retrieved by children). Batteries can still be dangerous. Contact your local council to safely dispose of the battery.
- Regularly check the product and make sure the battery box lid is correctly secured. If the battery compartment does not close securely, stop using the product and keep it away from children.
- If you think batteries might have been swallowed or placed inside any part of the body, seek immediate medical attention. If you suspect your child has swallowed or inserted a button battery, immediately call the 24-hour Poisons Information Centre on **13 11 26** for fast, expert advice.
- Battery Leaks: Battery contains chemicals and should be treated as any chemical would. Take precautions when handling leaked battery chemicals. Battery chemicals should not be placed near the eyes or ingested. Contact Poisons Information Centre on **13 11 26** for fast, expert advice.

TECHNICAL INFORMATION

Fan	52" DC fan - BALI
Fan Models	LD-BALI-52" / SKU# 17774
Rated Voltage	220-240V~ 50Hz
Rated Wattage (Motor)	42W
Rated wattage (Lamp)	SKU# 121357: GX53,18W, 1800lm, 3000K, 3 step-dim (Not Included) Also compatible with SKU# 121358: GX53,18W, 1800lm, 4000K, 3 step-dim (Not included)
Battery for remote	2 x AAA (Included)
Weight	11.2kg
Canopy Dimensions	H:58mm Dia:150mm



This fan is suitable for indoor and alfresco areas where the fan is fully undercover with a minimum of 2 walls. This fan is not waterproof. When installed in an alfresco area, the ceiling fan must be positioned in a location protected from water, wind, dust and salt. Exposure to these elements will void the warranty. Mounting the fan in a situation where it is subject to water or moisture is dangerous.