


## Amara

### Surface Mounted light (Changeable CCT)




### Features

- Amara creates extreme low heat and offers an excellent lumen performance
- Energy saving up to 85%, high efficiency power supply, low power consumption
- High value appearance and durability
- Easy to install

 Surface

 IP Rating  
IP44

 UGR  
<19

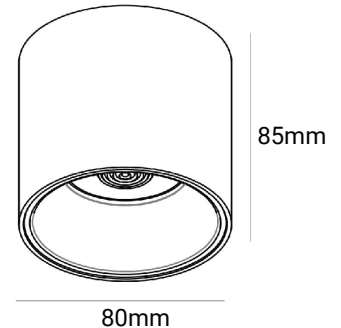
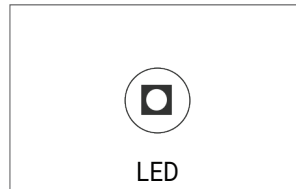
 6 years  
warranty Standard Warranty

## TECHNICAL DATA SHEET - AMARA - 19985 - SURFACE MOUNTED LIGHT



### TECHNICAL DATA

<b>Product Data</b>	Surface Mounted light
<b>Lamp Type</b>	BRIDGELUX LED
<b>Wattage</b>	10W
<b>Color Temperature</b>	3000K/4000K/6000K
<b>Rated Luminaire Luminous Flux</b>	700lm,750lm,800lm
<b>Rated Luminaire Efficiency</b>	70lm/W/75lm/W/80lm/W
<b>IP Rating</b>	44
<b>Beam Angle</b>	60°
<b>Input Voltage</b>	AC220-240V
<b>Output Voltage</b>	DC36V
<b>Frequency Range</b>	50-60 Hz
<b>CRI</b>	Ra>90
<b>Power Factor</b>	>0.5
<b>Current</b>	300mA
<b>Safety Class</b>	Class II
<b>Operating Temperature</b>	-20°C ~ +40°C
<b>SDCM(MacAdam)</b>	< 3
<b>Material</b>	Die cast Aluminium+PC body
<b>Finish</b>	Black
<b>Life Span</b>	60,000 Hours
<b>Warranty</b>	6 Years
<b>Applications</b>	Residential, Commercial, Hospitality etc.



### TECHNICAL OPTIONS

<b>Wattage</b>	20W
<b>Beam Angle</b>	36°
<b>Finish</b>	Sanded White+Black
<b>Control</b>	Switchable/TRIAC/0-10V/DALI/1-10V