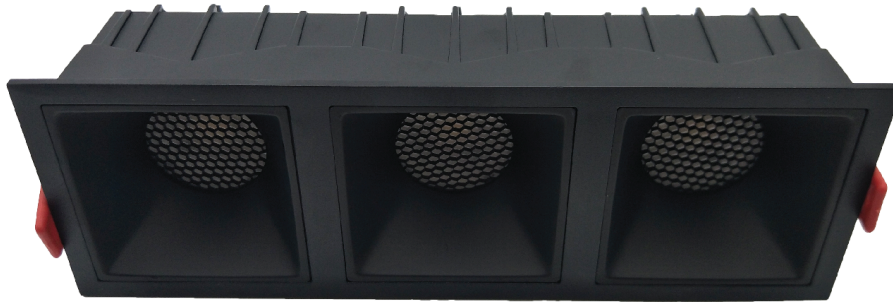


Savino

Antiglare Recessed Spotlight




Features

- Best Lumen output efficacy
- Use of high-tech spraying technology, anti-corrosion
- Die cast aluminium body and heat sink designed for effective heat dissipation
- High Light Uniformity
- High value appearance and durability
- 2.5kV Protection
- 90% Energy Saving

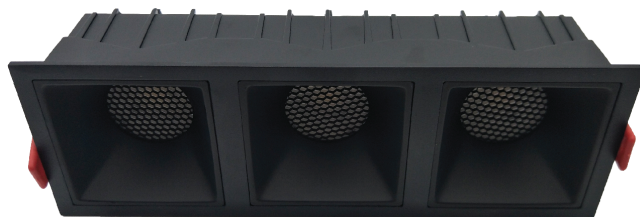
 Recessed

 UGR <13

 IP Rating IP44

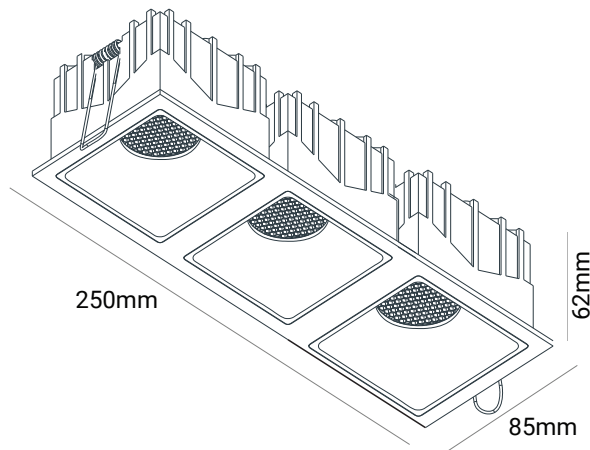
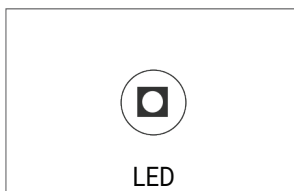
 Standard Warranty

TECHNICAL DATA SHEET - SAVINO - 19875 - ANTIGLARE RECESSED SPOTLIGHT



TECHNICAL DATA

Product Data	Recessed spotlight
Lamp Type	BRIDGELUX LED
Wattage	3x10W
Color Temperature	3000K/4000K/6000K
Rated Luminaire Luminous Flux	1800lm/1950lm/2100lm
Rated Luminaire Efficiency	60~70lm/W
IP Rating	44
Beam Angle	38°
Input Voltage	AC220-240V
Output Voltage	25-40V
Frequency Range	50-60 Hz
CRI	Ra>90
Power Factor	>0.9
Output Current	250mA
Safety Class	Class II
Operating Temperature	-20°C ~ +40°C
SDCM(MacAdam)	< 3
Material	Aluminum body+Honeycomb
Finish	Black + Inner Black
Life Span	60,000 Hours
Warranty	6 Years
Applications	Residential, Commercial, Hospitality etc.



Cutout: 240x75mm

TECHNICAL OPTIONS

Wattage	3x7W / 3x18W
Color Temperature	3000K-6000K
Beam Angle	15°/24°
Control	Switchable/DALI/1-10V/0-10V/TRIAC