


Elmo Flood/Spike light



Features

- Housing: CNC 6063# aluminum ,Matt silver/black anodized Finish or powder coated
- Lens: Optical lens , efficiency>85%.
- Glass Cover: Tempered glass. T= 4mm
- Base: Aluminum
- Spike: ABS
- Mounting Type: U bracket&mounting plate for solid ground,spike for soft ground

 Flood/Spike



IK Rating
IK08



IP Rating
IP66



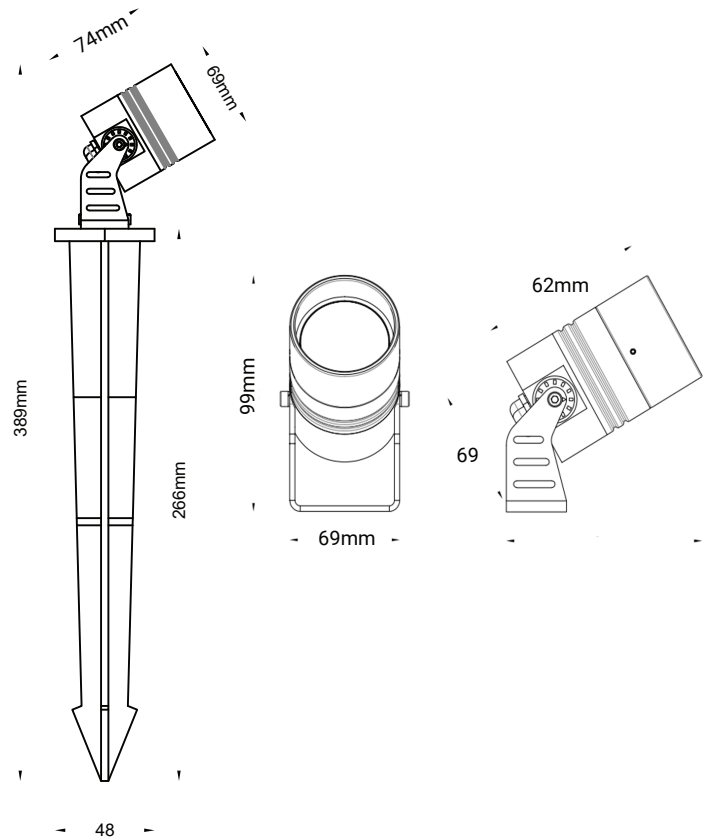
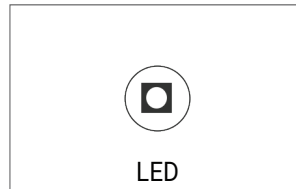
Standard Warranty

TECHNICAL DATA SHEET - ELMO - 19947 - FLOOD/SPIKE LIGHT



TECHNICAL DATA

Product Data	Flood/Spike Light
Lamp Type	CREE LED
Wattage	10W
Color Temperature	3000K
Rated Luminaire Luminous Flux	800lm
Rated Luminaire Efficiency	80lm/W
IP Rating	66
Beam Angle	36°
Input Voltage	AC110-240V
Output Voltage	34-39V
Frequency Range	50-60 Hz
Output Current	250mA
CRI	Ra>80
Power Factor	0.9
SDCM	<3
Safety Class	Class I
Operating Temperature	-20°C ~ +50°C
Material	Aluminium + Tempered Glass
Finish	Black
Lifespan	50,000 Hours
Warranty	5 Years
Applications	Outdoors, Gardens, Parks, etc.



TECHNICAL OPTIONS

Wattage	8W
Color Temperature	3000K-6000K, RGB, RGBW
Beam Angle	15° / 24° / 60°
Control	Switchable, TRIAC, 1-10V, DALI,0-10V