


## Elmo Flood/Spike light



### Features

- Housing: CNC 6063# aluminum ,Matt silver/black anodized Finish or powder coated
- Lens: Optical lens , efficiency>85%.
- Glass Cover: Tempered glass. T= 4mm
- Base: Aluminum
- Spike: ABS
- Mounting Type: U bracket&mounting plate for solid ground,spike for soft ground

 Flood/Spike



IK Rating  
IK08



IP Rating  
IP66



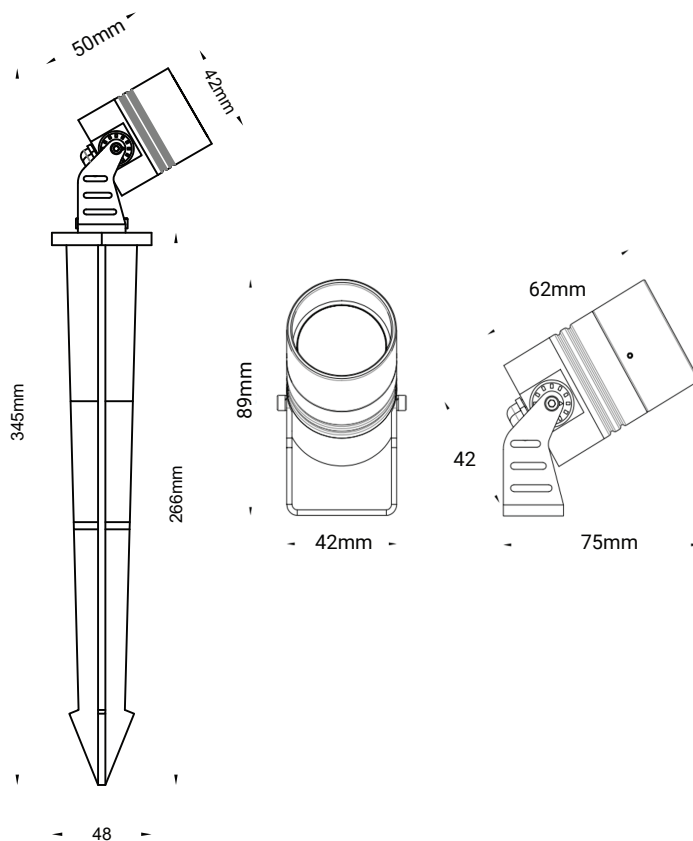
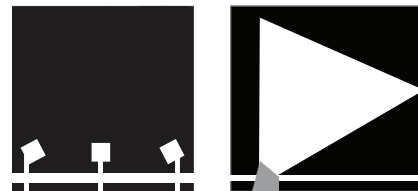
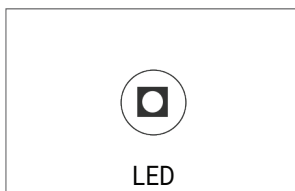
Standard Warranty

## TECHNICAL DATA SHEET - ELMO - 19946 - FLOOD/SPIKE LIGHT



### TECHNICAL DATA

<b>Product Data</b>	Flood/Spike Light
<b>Lamp Type</b>	CREE LED
<b>Wattage</b>	3W
<b>Color Temperature</b>	3000K
<b>Rated Luminaire Luminous Flux</b>	240lm
<b>Rated Luminaire Efficiency</b>	80lm/W
<b>IP Rating</b>	66
<b>Beam Angle</b>	24°
<b>Input Voltage</b>	AC110-240V
<b>Output Voltage</b>	8-11V
<b>Frequency Range</b>	300mA
<b>Output Current</b>	50-60 Hz
<b>CRI</b>	Ra>80
<b>Power Factor</b>	0.9
<b>SDCM</b>	<3
<b>Safety Class</b>	Class I
<b>Operating Temperature</b>	-20°C ~ +50°C
<b>Material</b>	Aluminium + Tempered Glass
<b>Finish</b>	Black
<b>Lifespan</b>	50,000 Hours
<b>Warranty</b>	5 Years
<b>Applications</b>	Outdoors, Gardens, Parks, etc.



### TECHNICAL OPTIONS

<b>Wattage</b>	4W
<b>Color Temperature</b>	3000K-6000K, RGB, RGBW
<b>Beam Angle</b>	15° / 36° / 60°
<b>Control</b>	Switchable, TRIAC, 1-10V, DALI,0-10V