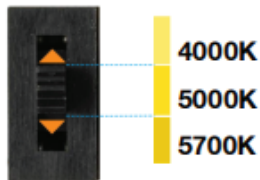
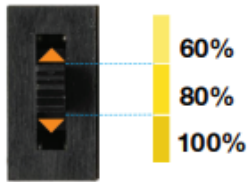


Esla

Highbay Light

(Wattage & CCT Changeable)



Features

- Ideally designed for applications in warehouses, gyms, manufacturing, airplane hangers and large retail outlets.
- Light-on-demand feature with optional motion sensor
- Robust design
- High visual comfort
- Dedicated range of mounting accessories

 **Suspended**

Colour Rendering Index
≥70

 **IP Rating**
IP65

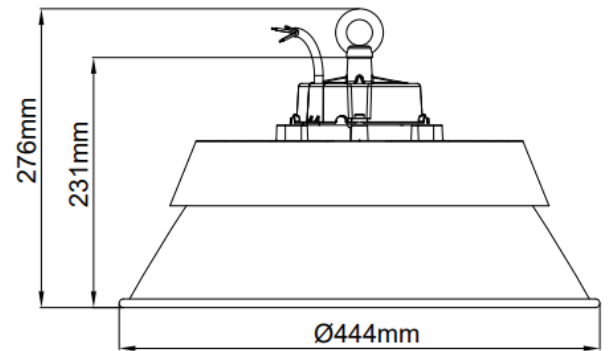
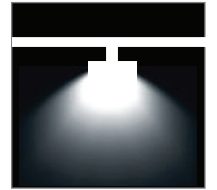
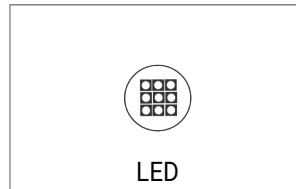
5 years
warranty **Standard Warranty**

TECHNICAL DATA SHEET - ESLA - 19856 - Highbay LIGHT



TECHNICAL DATA

Product Data	Highbay Light
Lamp Type	Lumileds
Wattage	100W/150W/200W
Color Temperature	3000K/4000K/6000K
Rated Luminaire Efficiency	170lm/W
IP Rating	65
Beam Angle	90°
Voltage	AC120-277V
Frequency Range	47-63HZ
CRI	Ra>70
Power Factor	>0.9
Operating Temperature	-40°C ~ +50°C
Surge Protection	6KV
IK Rating	09
THD	<20%
Material	Aluminum Alloy+PC
Finish	Black
Life Span	50,000 Hours
Warranty	5 Years
Applications	Warehouse, Industrial, Hypermarket, Supermarket, etc.



TECHNICAL OPTIONS

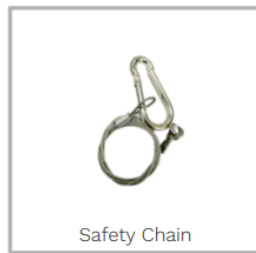
Beam Angle	60°/120°
Mounting	Ceiling Mounted
Optional Accessories	PC /Aluminum reflector, Safety rope Adjustable brackets, Hanging Hook

TECHNICAL DATA SHEET - ESLA - 19856 - HIGHBAY LIGHT

OPTIONAL



ACCESSORIES



When sensors are used, the power supply needs to be selected as a version without afterglow that can be turned off.