


LUCCI AIR BRONX DC CEILING FAN

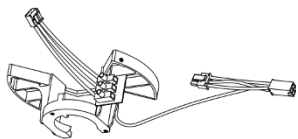
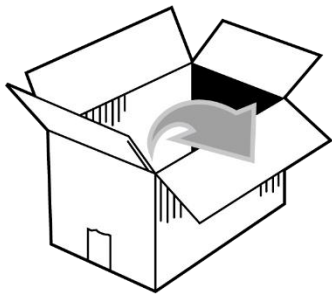
Beacon Lighting Europe GmbH

Campus Fichtenhain 42, 47807 Krefeld, Germany

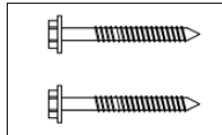
TEL +49 (2151) 325 82 39 FAX +49 (2151) 325 70 65

sales@beaconlighting.eu

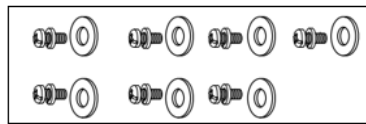
1. **NOTE:** Read instructions carefully for safe installation and fan operation.
 2. This appliance can be used by children aged from 8 years and above and persons with reduced physical, sensory or mental capabilities or lack of experience and knowledge if they have been given supervision or instruction concerning the use of the appliance in a safe way and understand the hazards involved. Cleaning and maintenance shall not be undertaken by children without supervision.
 3. Children should be supervised to ensure that they do not play with the appliance.
 4. An all-pole disconnection switch must be incorporated into the fixed wiring, in accordance with local wiring rules.
 5.  Do not dispose of electrical appliances as unsorted municipal waste, use separate collection facilities. Contact your local government for information regarding the collection systems available. If electrical appliances are disposed of in landfills or dumps, hazardous substances can leak into the ground water and get into the food chain, damaging your health and well-being.
 6. The structure to which the fan is to be mounted must be capable of supporting a weight of 21kg.
 7. The fan should be mounted so that the blades are more than 2.3 m above the floor.
 8. This fan is suitable for indoor and alfresco areas where the fan is fully undercover with a minimum of 2 walls. This fan is not waterproof. When installed in an alfresco area, the ceiling fan must be positioned in a location protected from water, wind, dust and salt. Exposure to these elements will void the warranty. Mounting the fan in a situation where it is subject to water or moisture is dangerous and may increase the risk of damage, injury or electrical shock.
 9. Electrical installation should be performed by a qualified licensed electrician
 10. **WARNING:** If unusual wobbling or oscillating movement is observed, immediately stop using the ceiling fan and contact the manufacturer, its service agent or suitably qualified persons.
 11. The replacement of parts of the safety suspension system device shall be performed by the manufacturer, its service agent or suitably qualified persons.
 12. The fixing means for attachment to the ceiling such as hooks or other devices shall be fixed with a sufficient strength to withstand 4 times the weight of the ceiling fan; that the mounting of the suspension system shall be performed by the manufacturer, its service agent or suitably qualified persons.
 13. The light source contained in the luminaire is non-user replacable. It shall only be replaced by the manufacturer or his service agent or similar qualified person.
 14. **NOTE:** This fan hanging system supports a maximum 13 degree angled ceiling installation.
 15. **NOTE:** The bracket screws provided are for use with wooden structures only. For structures other than wood, the appropriate screw type **MUST** be used. Ensure the screws used are suitable for the mounting surface and the surrounding environment.
 16. **NOTE:** If there are two or more DC ceiling fans installed in the one location, an Isolation switch is required for each ceiling fan, this is required when programming the remote and receiver to pair together.
 17. **NOTE:** Don't run the motor without blades installed!
 18. Take note the correct side of the blades with the marking "THIS SIDE UP" faces the ceiling.
 19. **NOTE:** when use with extension down rod, use the light kit extension cable (K).
-



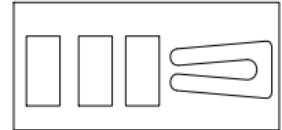
(A)



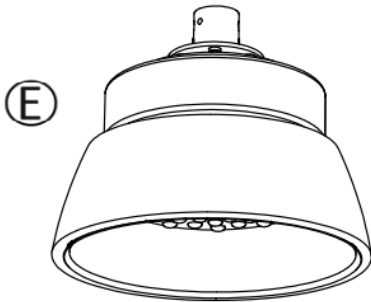
(B)



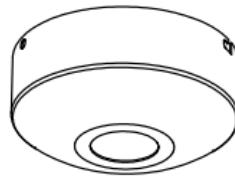
(C)



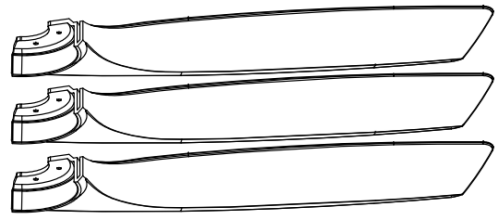
(D)



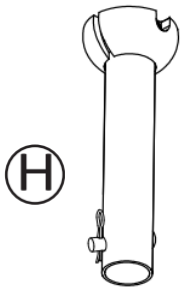
(E)



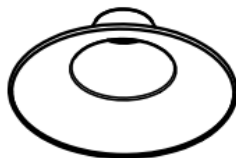
(F)



(G)



(H)



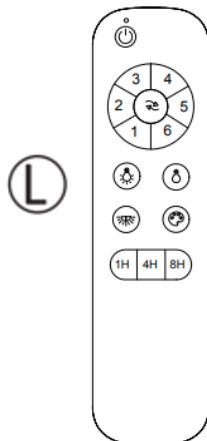
(I)



(J)



(K)



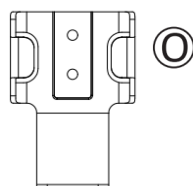
(L)



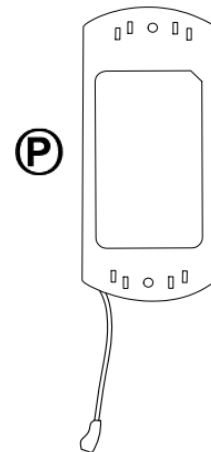
(M)



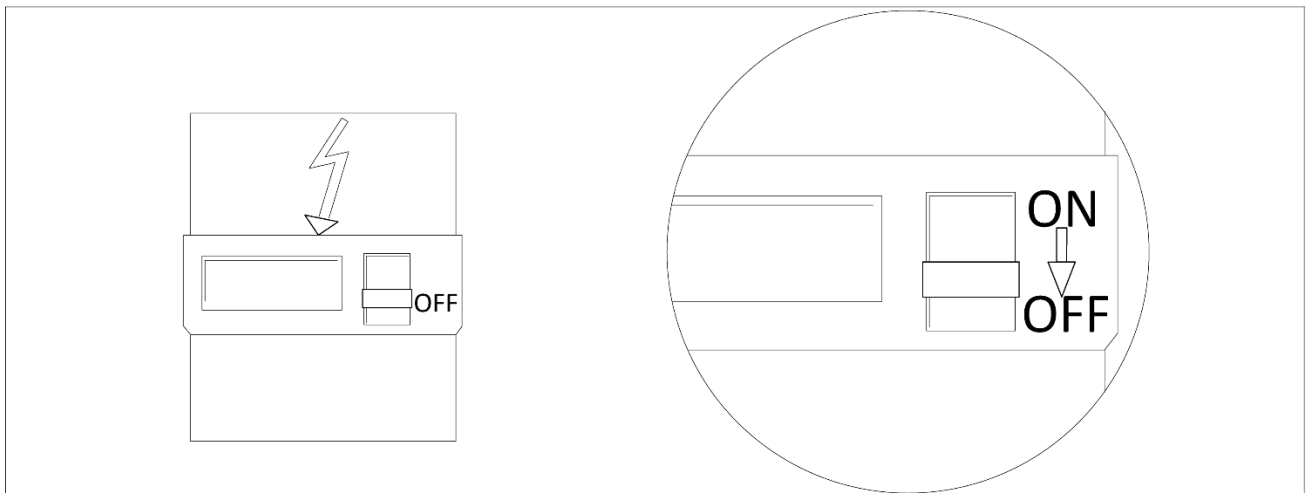
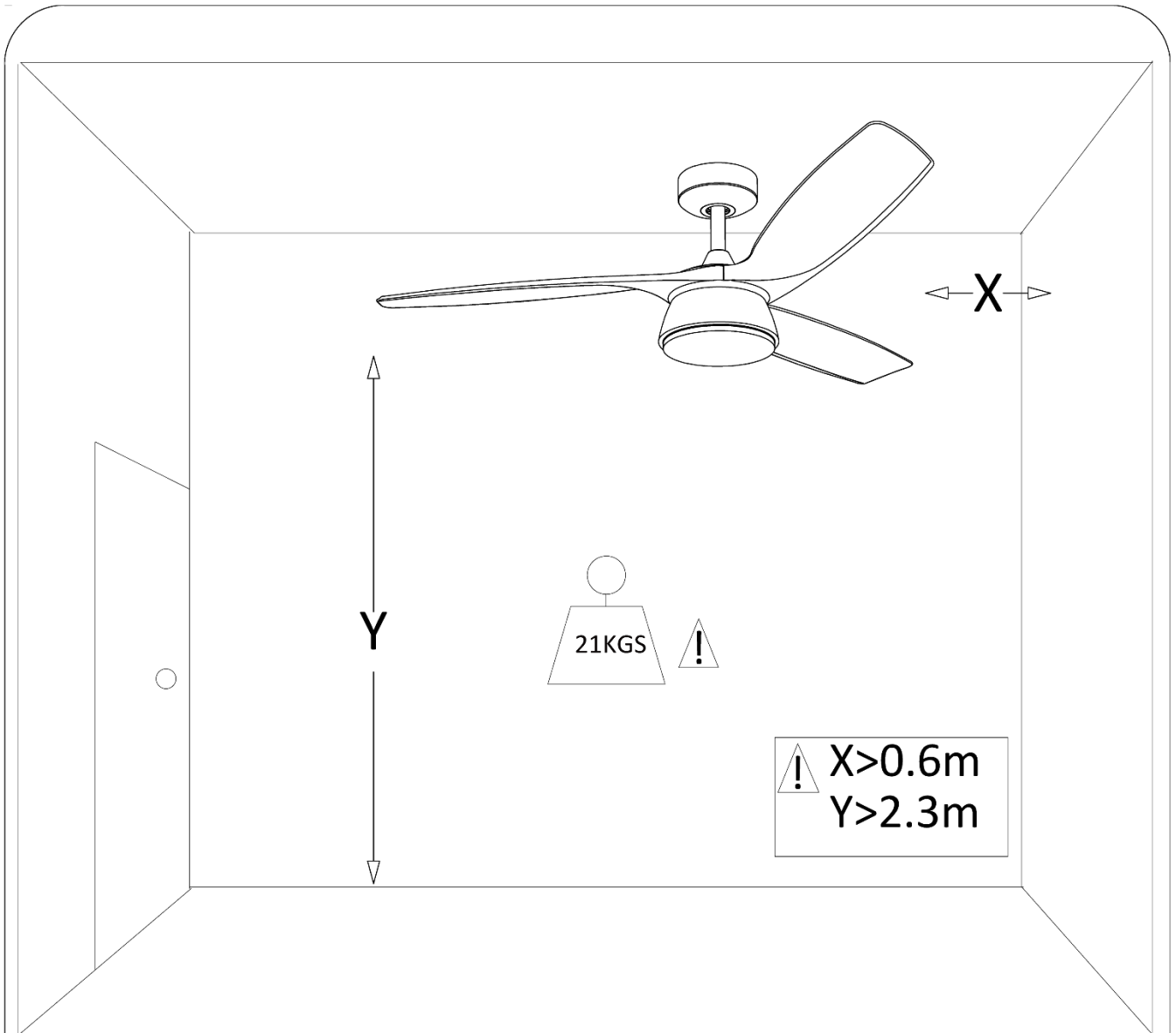
(N)



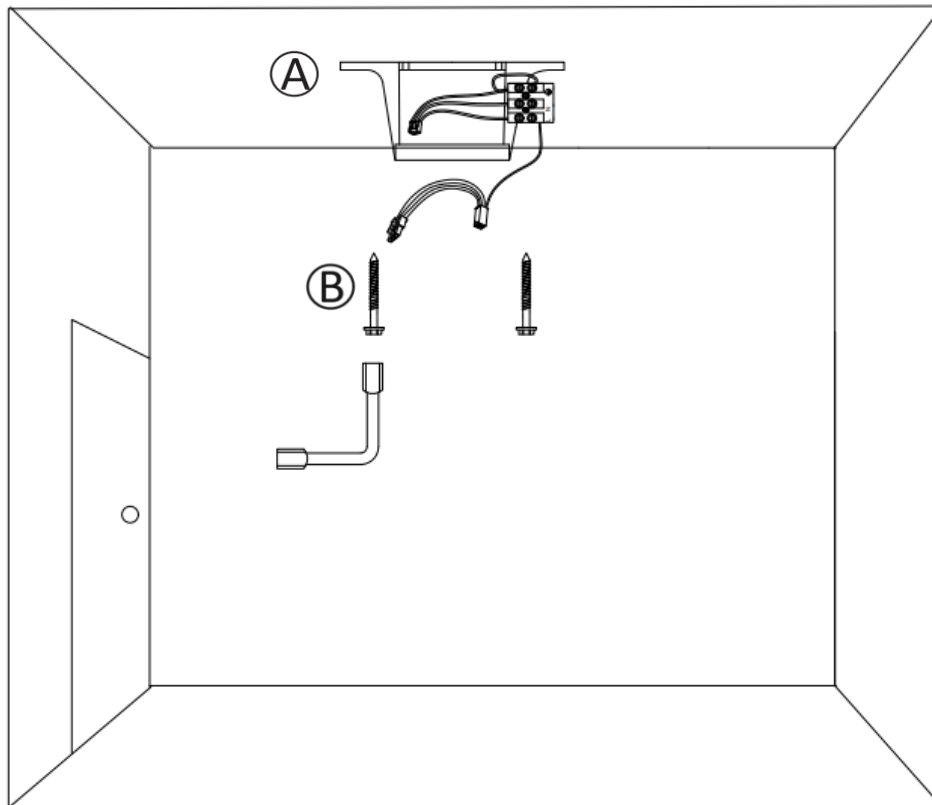
(O)



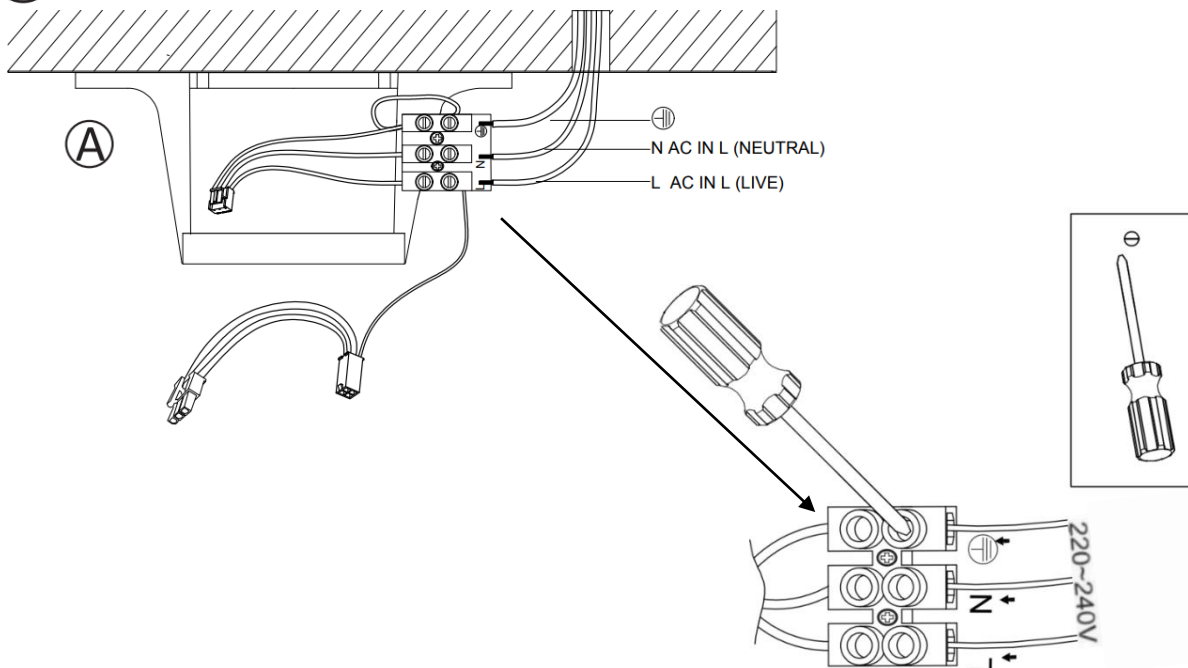
(P)

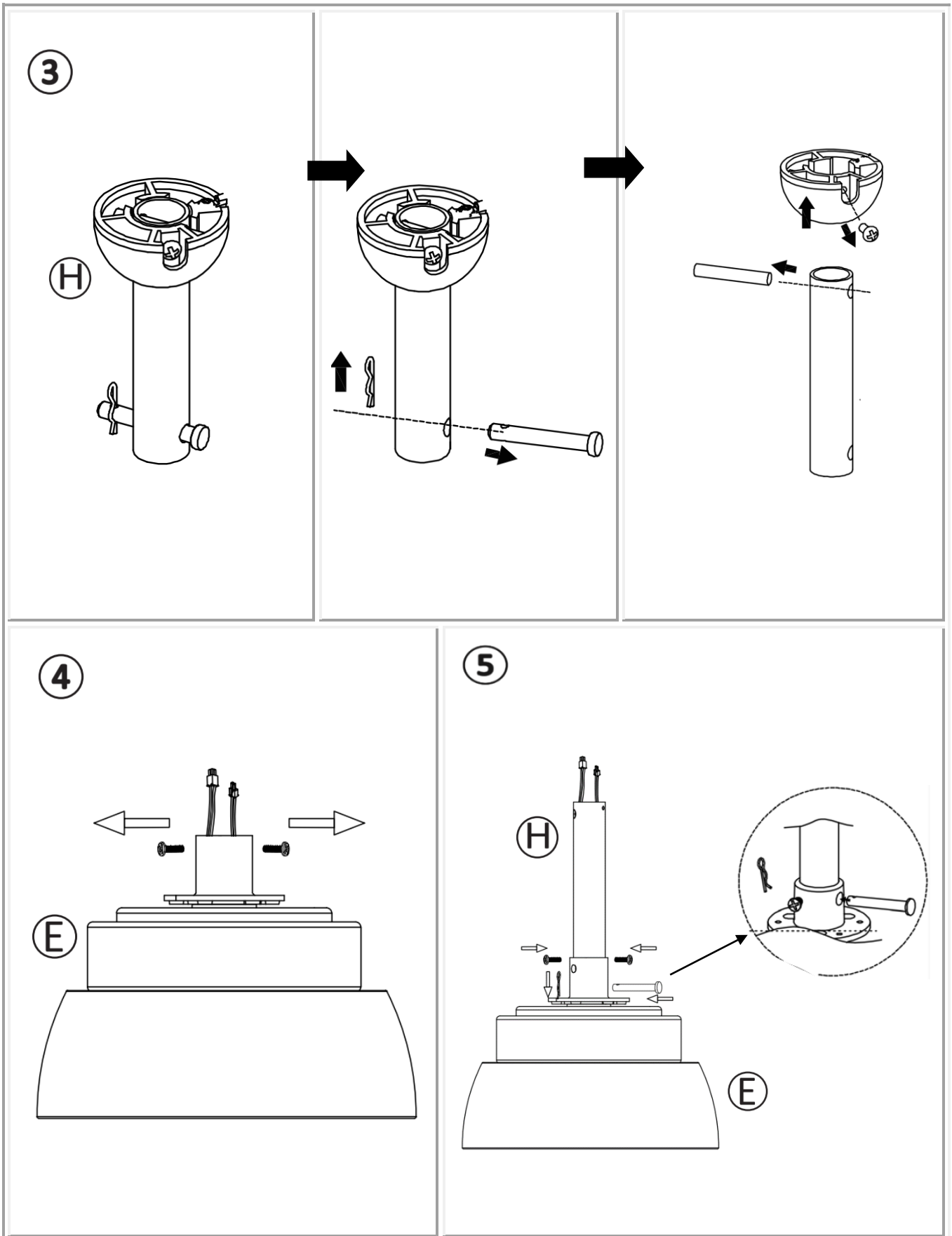


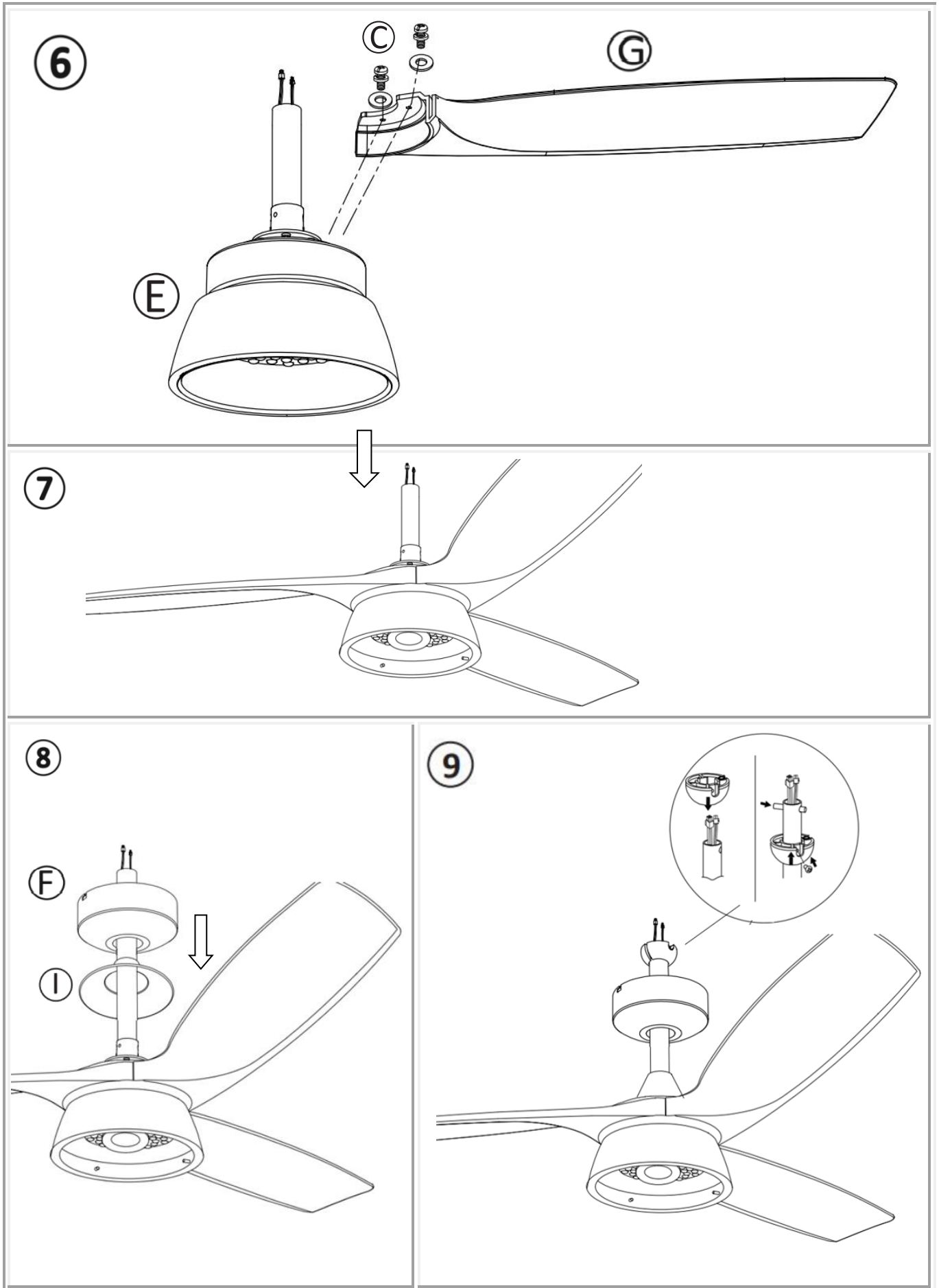
1

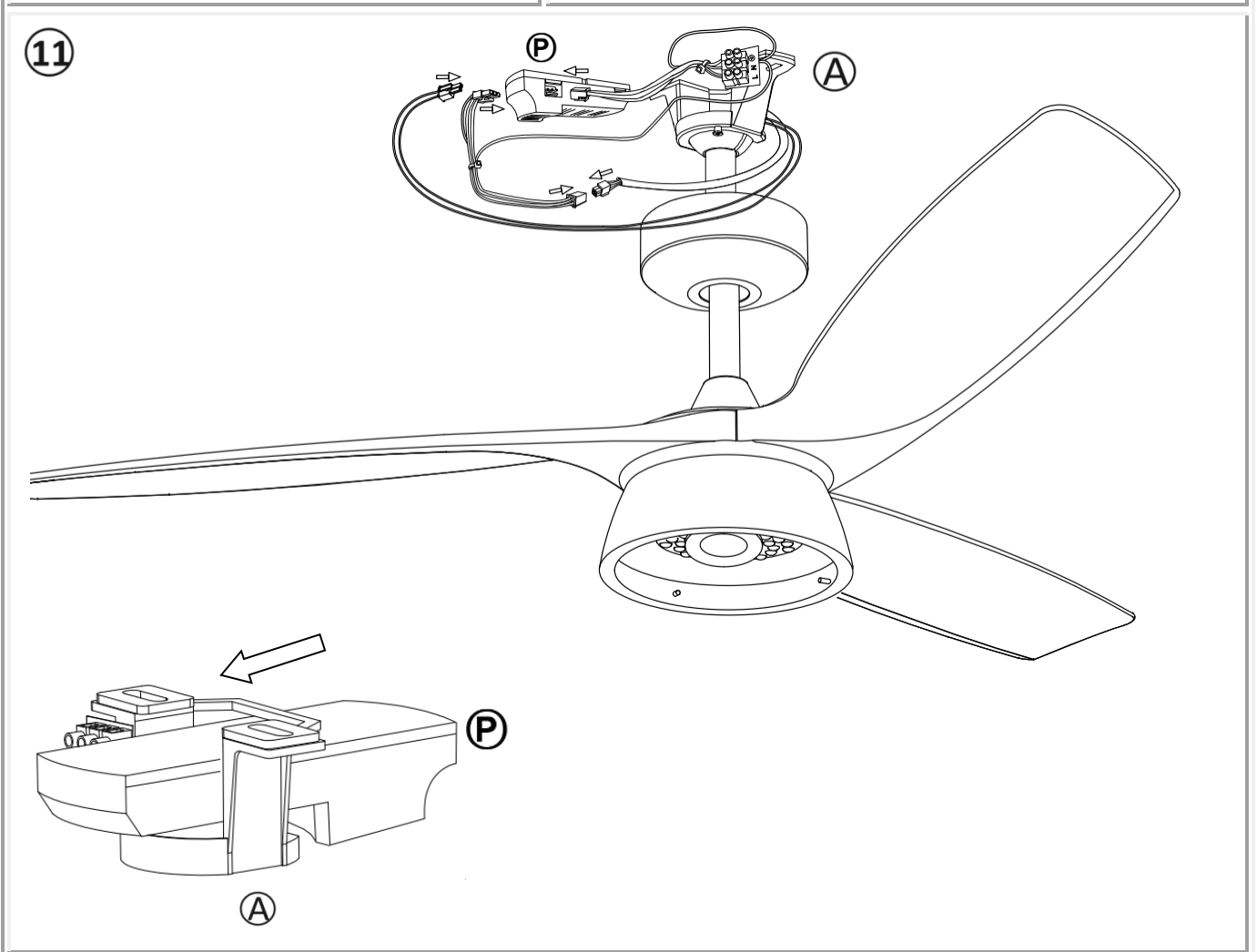
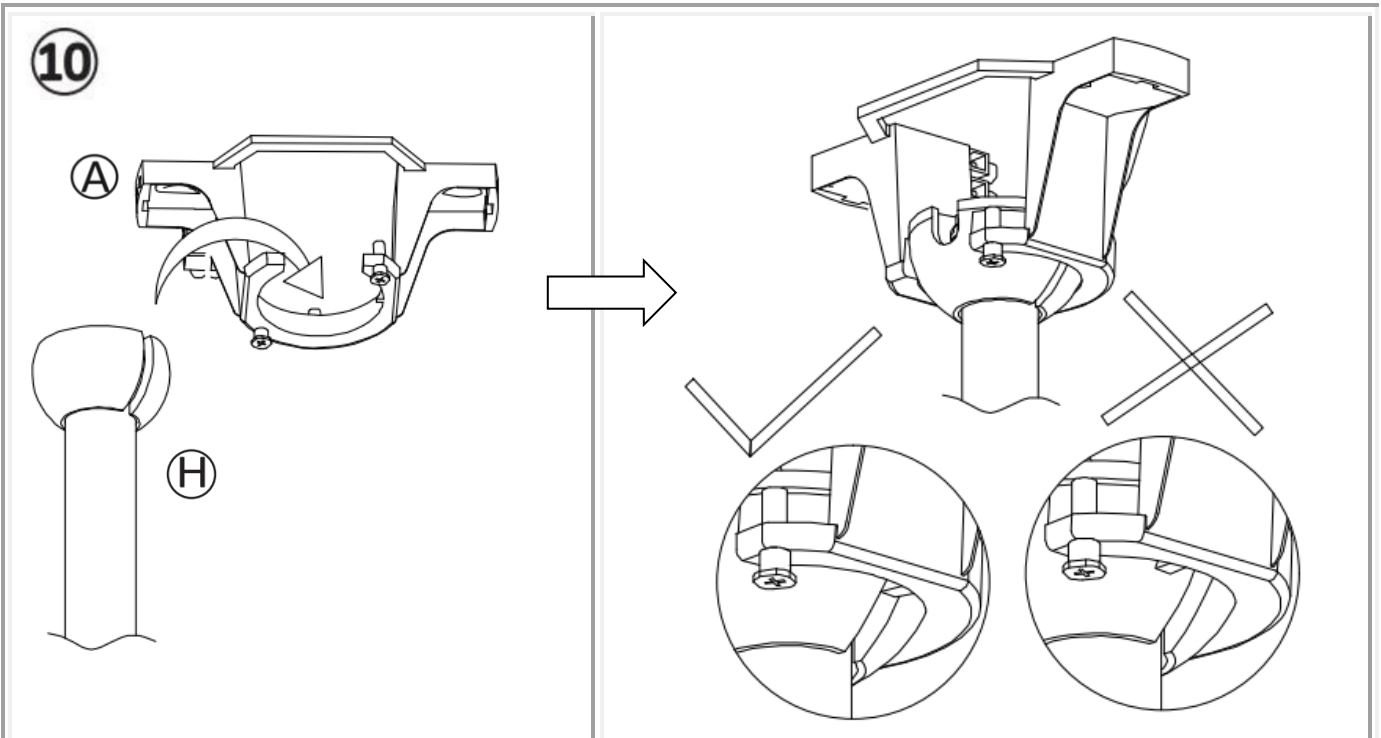


2

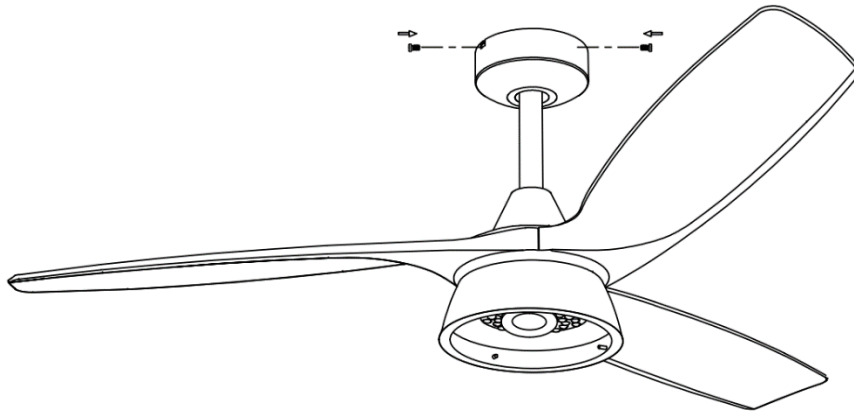




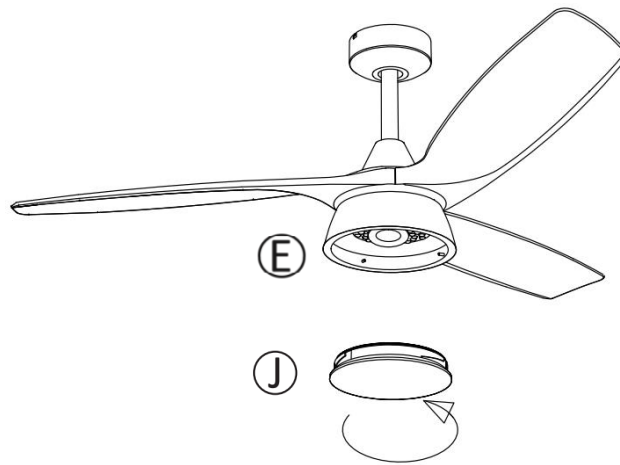




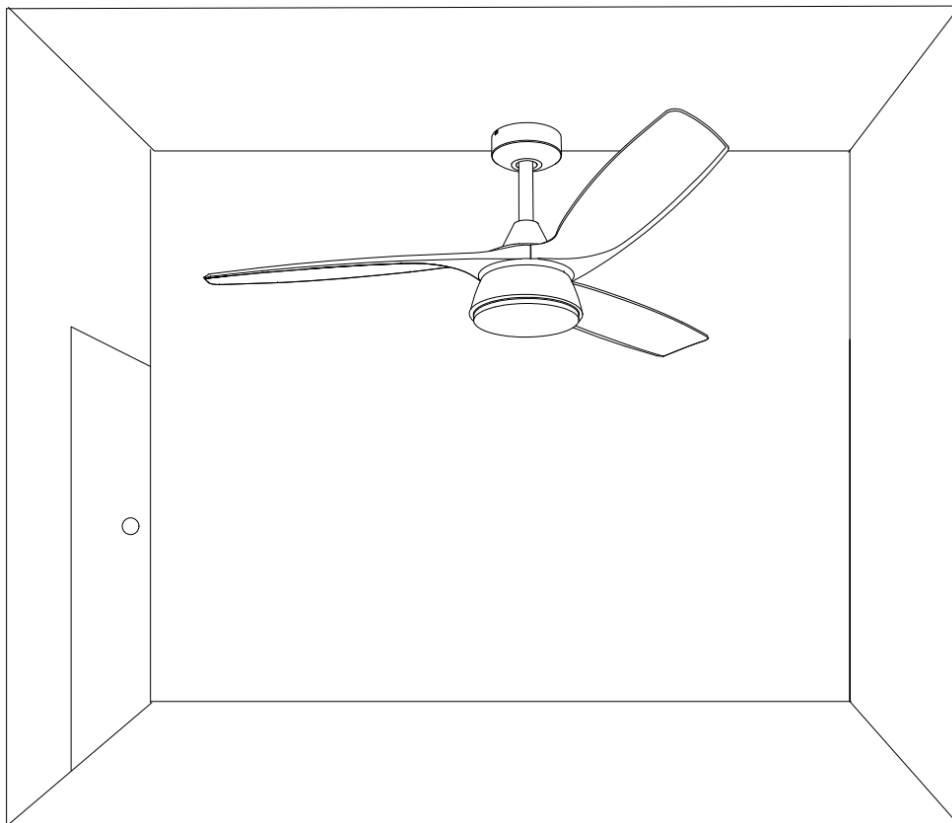
12



13

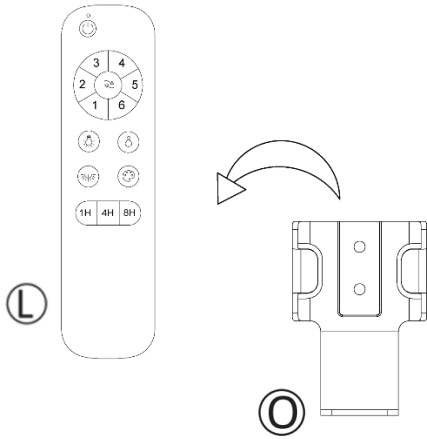


14

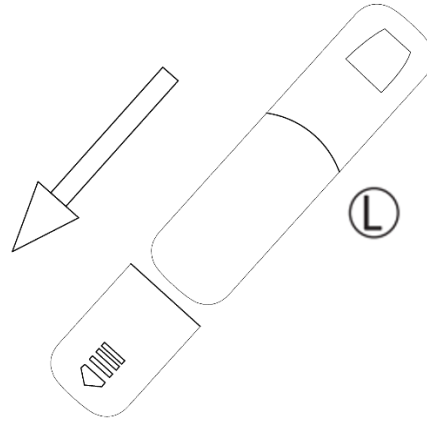


BRONX - INSTALLATION GUIDE

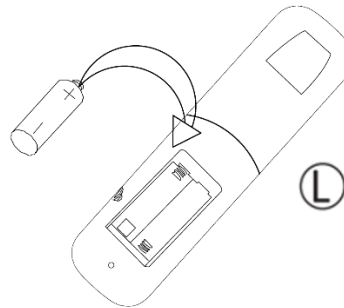
15



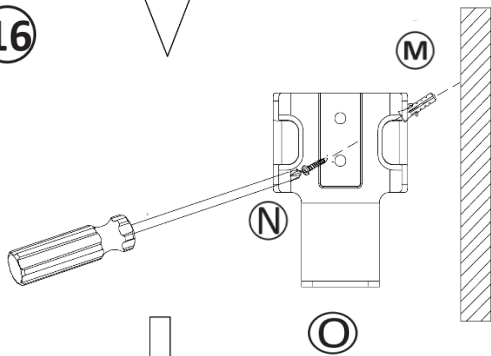
17



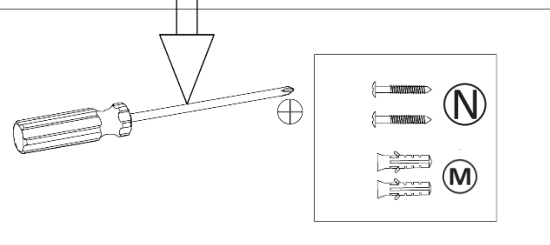
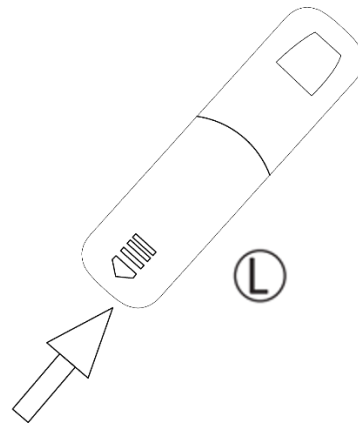
18



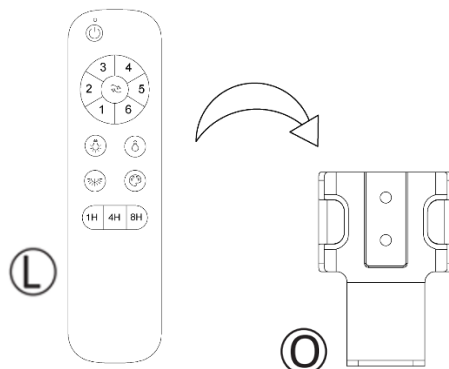
16

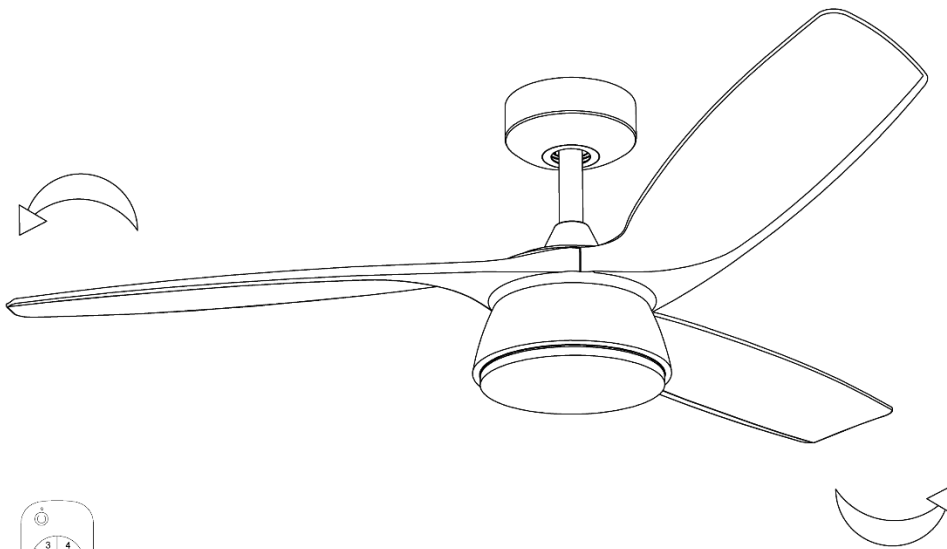
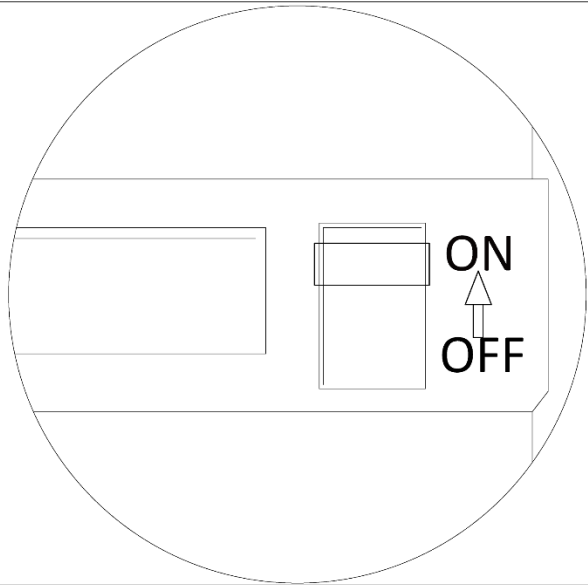
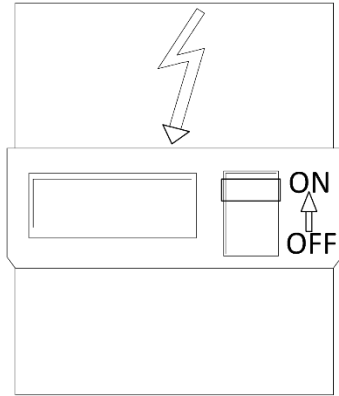


19



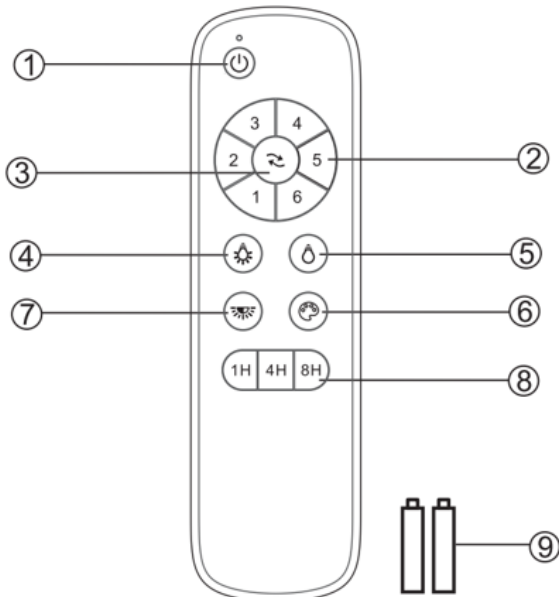
20





REMOTE CONTROL

1. Test the remote by pressing and hold any button. A red LED will be lit up at the top of the remote to indicate that there is power to the remote and it is ready for use to control the fan.
2. Follow the guide below to operate the fan and learn the functions.



- ① Turn off the fan
- ② Speed of the fan
- ③ Direction of the fan (reverse switch)
- ④ Turn on the light
- ⑤ Turn off the light
- ⑥ Change the color of the light
- ⑦ press and hold to adjust the brightness of the light
- ⑧ Timing control of the fan
- ⑨ 1.5V AAA battery X 2pcs (Not Included)

The remote has memory function. If the fan or light is turned off by the isolating switch over 7 seconds, the next time to turn on the fan or light will be on last setting.

REPAIRING THE FAN RECEIVER & REMOTE PAIRING

NOTE: The pairing of the remote and receiver has been done at the factory.


When the ceiling fan is installed, pairing the fan receiver and remote is NOT required.

Should the remote and receiver lose control after installation or during use, the pairing of the remote and the receiver must be repaired. Below are the operating symptoms and method to repair the pairing of the DC ceiling fan remote and receiver.

Issues:

- Loss of control - Fan is only running at high speed after installation.
- Loss of control - No reverse function after installation
- Loss of control - Remote cannot communicate with the receiver.

Solution:

- Switch off the main power of ceiling fan.
- Switch on the main power of the ceiling fan. Press and hold the “” button on the remote for 5 seconds within 30 seconds after switching on. There will be a long sound ‘beep’ from the receiver to indicate that the pairing process is successful.
- Turn on and select the different speed of the ceiling fan to check the operation of the fan.

AFTER INSTALLATION

NOTE: Ceiling fans tend to move during operation due to the fact that they are mounted on a rubber grommet. If the fan was mounted rigidly to the ceiling it would cause excessive vibration. Movement of a few centimetres is quite acceptable and DOES NOT suggest any problem.

NOISE:

When it is quiet (especially at night) you may hear occasional small noises. Slight power fluctuations and frequency signals superimposed in the electricity for off-peak hot water control, may cause a change in fan motor noise. This is normal. Please allow a 24-hour “settling-in” period, most noises associated with a new fan disappear during this time.

The manufacturer’s warranty covers actual faults that may develop and NOT minor complaints such as hearing the motor run – All electric motors are audible to some extent.

CARE & CLEANING

NOTE: Always turn OFF the power at the mains switch before performing any maintenance or attempting to clean your fan.

- Every 6 months periodic cleaning of your ceiling fan is the only maintenance required. Use a soft brush or lint free cloth to avoid scratching the paint finish. Please turn off electricity power when you do so.
- Do not soak or immerse your ceiling fan in the water or other liquids. It could damage the motor or the blades and create the possibility of an electrical shock.
- Ensure that the fan does not come in contact with any organic solvents or cleaners.
- To clean the fan blade, wipe with only a damp clean cloth with NO organic solvents or cleaners.
- The motor has a permanently lubricated ball bearing so there is no need to oil.
- The shade of the Light kit assembly MUST NOT be removed during cleaning, maintenance or any other circumstances.

SAFETY PRECAUTIONS FOR BATTERY

- **WARNING** – Keep new and used batteries away from children.
- **CAUTION** – Do not ingest battery—Chemical burn hazard.
- Always use 2 x AAA battery type with this ceiling fan remote controller.
- Ensure the batteries are inserted with the correct polarity.
- To prevent false operation during battery insertion or replacement, this ceiling fan must be disconnected from the supply mains.
- non-rechargeable batteries are not to be recharged;
- different types of batteries or new and used batteries are not to be mixed;
- Remove batteries from the product when not in use for long periods of time.
- Batteries must be removed from the remote transmitter before it is discarded.
- Dispose of exhausted batteries immediately and safely (so they cannot be retrieved by children). Batteries can still be dangerous. Contact your local council to safely dispose of the battery.
- Regularly check the product and make sure the battery box lid is correctly secured. If the battery compartment does not close securely, stop using the product and keep it away from children.
- If you think batteries might have been swallowed or placed inside any part of the body, seek immediate medical attention. If you suspect your child has swallowed or inserted a button battery, call the emergency number of your country if you are in Europe for fast, expert advice.
- Battery Leaks: Battery contains chemicals and should be treated as any chemical would. Take precautions when handling leaked battery chemicals. Battery chemicals should not be placed near the eyes or ingested. call the emergency number of your country if you are in Europe for fast, expert advice.

TECHNICAL INFORMATION

Fan	52" BRONX DC Fan
Fan Models	SKU# 19766
Rated Voltage	220-240V~ 50Hz
Rated Wattage (Motor)	30W
Lighting source	This product contains a light source of energy efficiency class F
Rated wattage (Lamp)	LED ,18W, Colour Shifting:3000K-4000K-6000K
Battery for remote	2 x AAA (Not Included)
Weight	5.2kg
Canopy Dimensions	H:55mm Dia:148mm