


Kyra

Surface Mounted light




Features

- Kyra creates extreme low heat and offers an excellent lumen performance
- Energy saving up to 85%, high efficiency power supply, low power consumption
- High value appearance and durability
- Easy to install

 Surface

 IP Rating
IP65

 UGR
<19

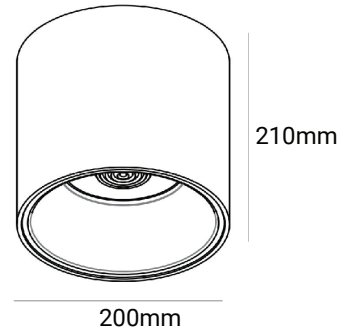
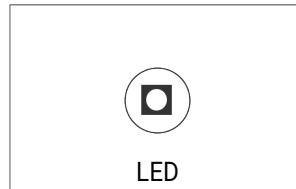
 6 years
warranty Standard Warranty

TECHNICAL DATA SHEET - KYRA - 19659 - SURFACE MOUNTED LIGHT



TECHNICAL DATA

Product Data	Surface Mounted light
Lamp Type	BRIDGELUX LED
Driver	Lifud
Wattage	60W
Color Temperature	4000K
Rated Luminaire Luminous Flux	5,400lm
Rated Luminaire Efficiency	90lm/W
IP Rating	65
Beam Angle	60°
Input Voltage	AC220-240V
Output Voltage	30-40V
Frequency Range	50-60 Hz
CRI	Ra>90
Power Factor	>0.95
Safety Class	Class II
Output Current	1500mA
Operating Temperature	-20°C ~ +50°C
SDCM(MacAdam)	< 3
Material	Die cast Aluminium
Finish	White+Inner White
Life Span	60,000 Hours
Warranty	6 Years
Applications	Residential, Commercial, Hospitality etc.



TECHNICAL OPTIONS

Wattage	10W / 20W / 30W / 50W
CCT	3000K, 6000K
Beam Angle	36°
Finish	Black
Control	Switchable/TRIAC/0-10V/DALI/1-10V

