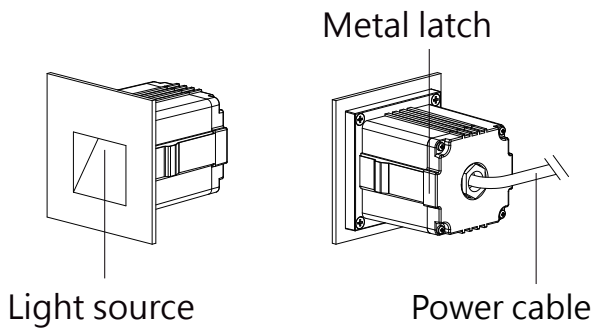


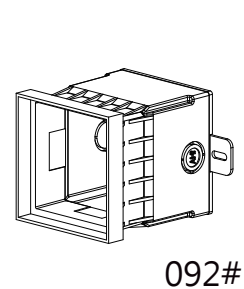
## RECESSED WALL LIGHT - INSTALLATION

### 1.Exterior details

#### 1.1 Luminaire

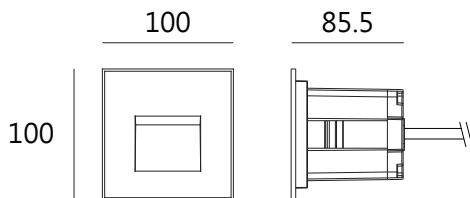


#### 1.2 Recessed sleeve

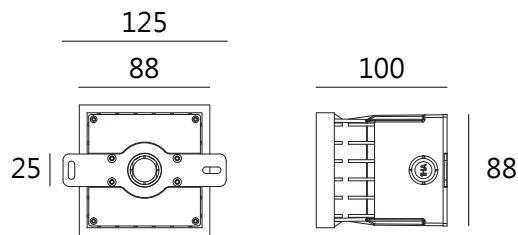


### 2.External dimension(mm)

#### 2.1 Luminaire



#### 2.2 Recessed sleeve



### 3.Specifications

#### 3.1 Material specifications:

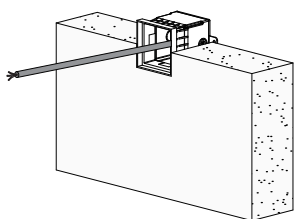
Front Cover:	12# Die-casting aluminum KAP7037 powder coated. T=60-80μm. Adhesion of ISO class 1/ASTM class 4B
Housing:	12# Die-casting RAL9005 powder coated aluminum. T=60-80μm. Adhesion of ISO class 1/ASTM class 4B
Light Window:	UVstop & Fireproof PC
Cable Gland:	IP67 copper and nicked coated
Gasket:	Molding shaped silicone seal
Recessed Sleeve:	PC/ABS ALLOYS
LED Driver:	Constant voltage input, constant current output
Operating Temperature:	-20°C~40°C
Power Cable:	H05RN-F 3×1.0mm <sup>2</sup> , L=0.5m

### 3.2 Electrical parameters:

Light Source:	10×0.5W NICHIA SMD3030
Input Voltage(v):	240
Operating Current(mA):	60
Consumption(w):	6.5
Luminance(lm):	112.9
IK:	10

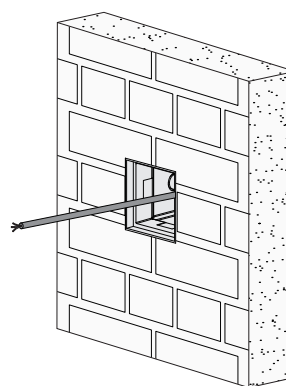
### 4.Installation steps

#### Step 1



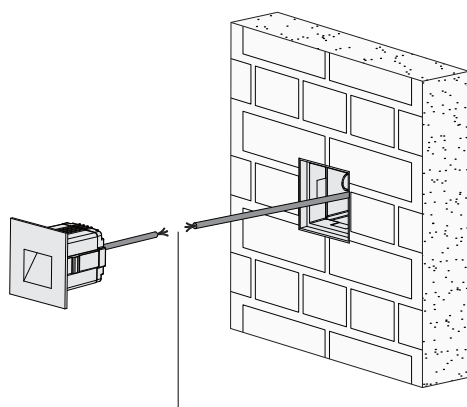
Secure the recessed sleeve

#### Step 2



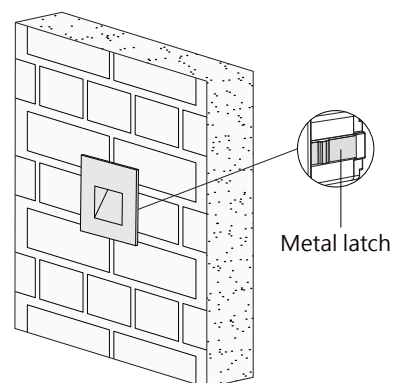
Finish the installation of concrete surface materials

#### Step 3



Connect the power cable

#### Step 4



Install the light fixture on the wall

## 5.Wiring diagram

High voltage on/off fitting:refer to the following recommended wiring method

Example of wiring:

