

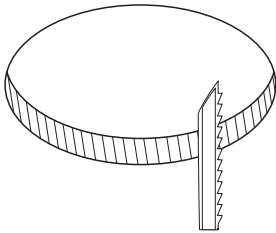
SKU :18012

POWER : 10W, INPUT : 220-240V,50/60Hz

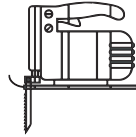
ATTENTION: YOU HAVE TO CUT OFF THE POWER BEFORE INSTALLING THE LAMP

1

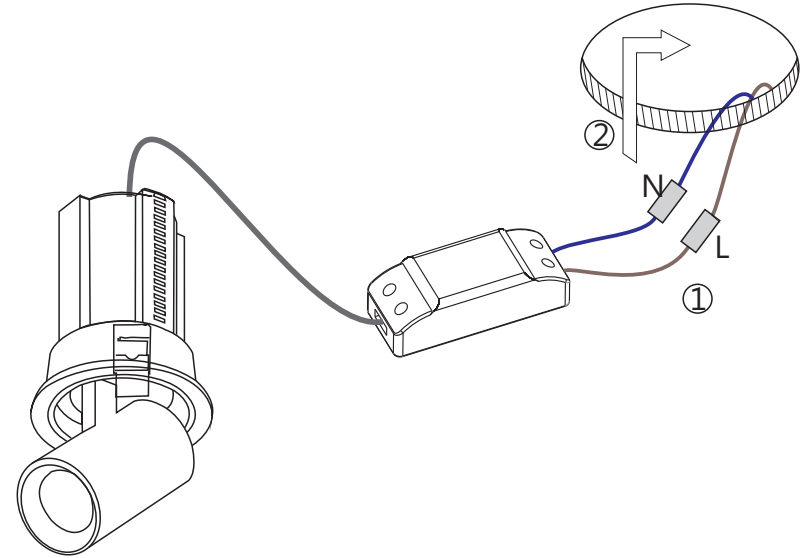
hole pattern



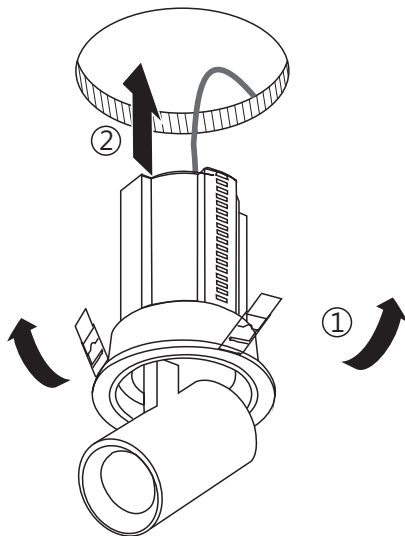
Ø75 MM



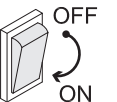
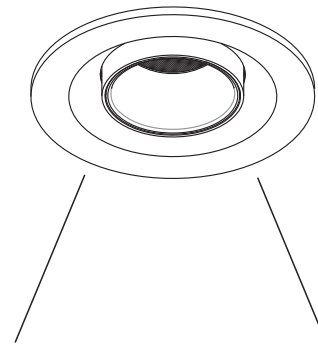
2



3



4



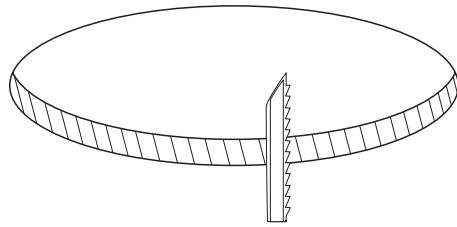
SKU :8013

POWER : 2x10W, INPUT : 220-240V, 50/60Hz

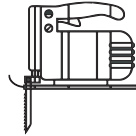
ATTENTION: YOU HAVE TO CUT OFF THE POWER BEFORE INSTALLING THE LAMP

1

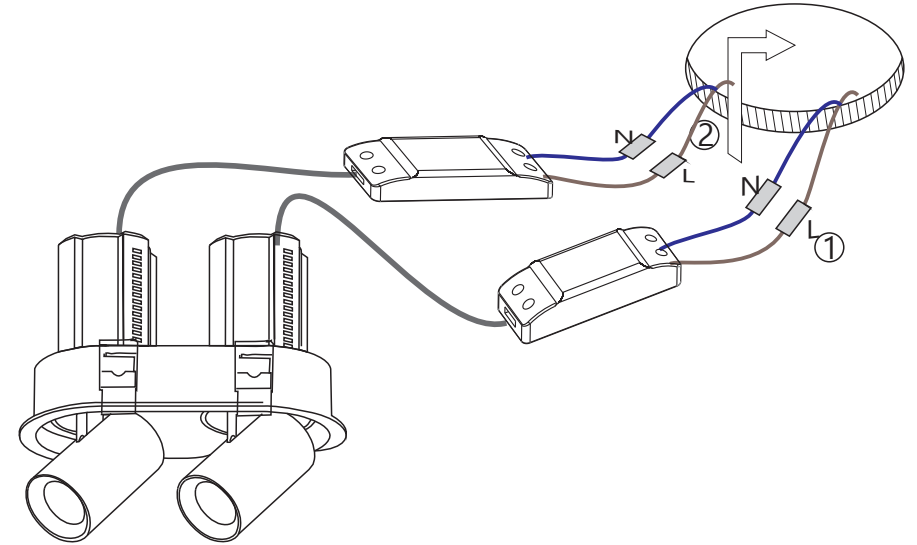
hole pattern



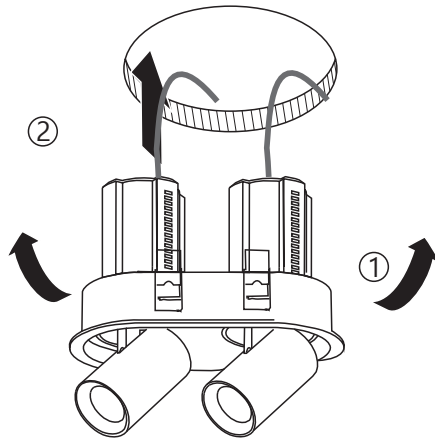
Ø177×88 MM



2



3



4

