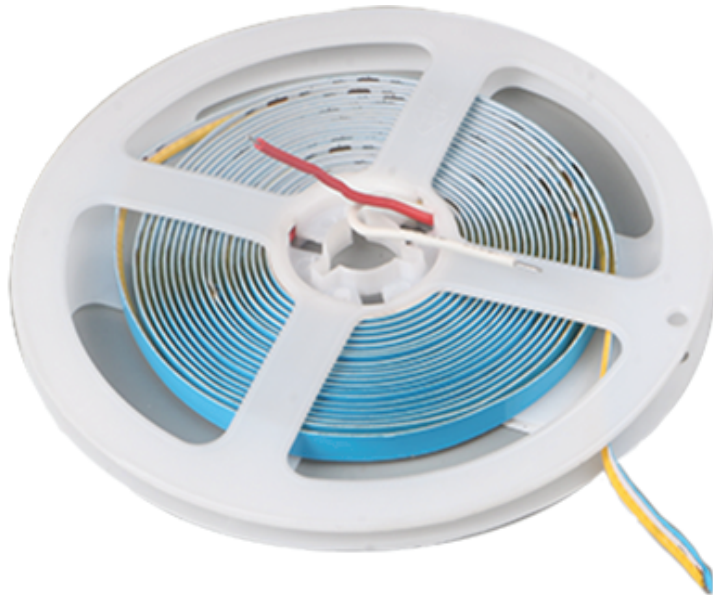


Betita

Magnetic strip light



Features

- Anti-glare design
- Exquisite structure, high-grade appearance
- Low voltage operation to ensure electric shock safety
- High efficacy, high illuminance
- DC24V Safely Input Voltage



IP Rating
IP20

6 years
warranty

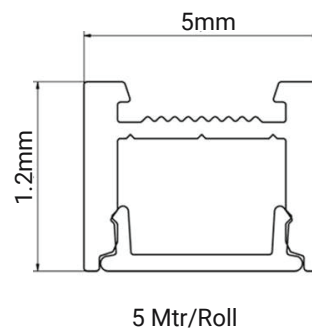
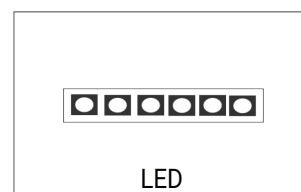
Standard Warranty

TECHNICAL DATA SHEET - BETITA - 19041 - MAGNETIC STRIP LIGHT



TECHNICAL DATA

| | |
|--------------------------------------|---|
| Product Data | Magnetic strip light |
| Lamp Type | LED |
| Wattage | 6W/mtr |
| Color Temperature | 3000K |
| Rated Luminaire Luminous Flux | 420lm |
| Rated Luminaire Efficiency | 70lm/W |
| IP Rating | 20 |
| Beam Angle | 120° |
| Voltage | DC24V |
| Frequency Range | 50-60 Hz |
| CRI | Ra>90 |
| Power Factor | >0.9 |
| Operating Temperature | -20°C ~ +45°C |
| Material | PVC+copper wire |
| Finish | White |
| Life Span | 60,000 Hours |
| Warranty | 6 Years |
| Applications | Residential, Commercial, Hospitality etc. |



TECHNICAL OPTIONS

| | |
|--------------------------|--|
| Color Temperature | 4000K, 6000K |
| Control | Switchable/TRIAC/0-10V/Wi-Fi/Bluetooth |