

## Kenzo

### Trimless Adjustable Spotlight




### Features

- Best Lumen output efficacy
- Use of high-tech spraying technology, anti-corrosion
- Die cast aluminium body and heat sink designed for effective heat dissipation
- High Light Uniformity
- High value appearance and durability
- 2.5kV Protection
- 80% Energy Saving
- Rotatable: 360°

 Trimless

 IP Rating  
IP44

 UGR  
<19

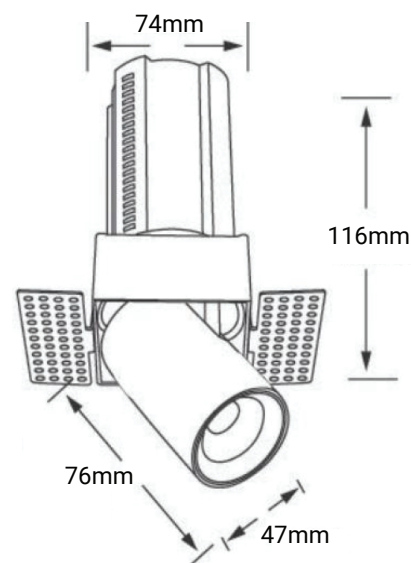
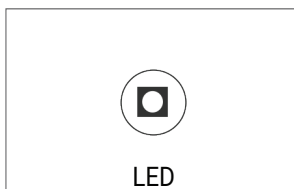
 6 years  
warranty Standard Warranty

## TECHNICAL DATA SHEET - KENZO - 18391 - TRIMLESS ADJUSTABLE SPOTLIGHT



### TECHNICAL DATA

Product Data	Recessed spotlight
Lamp Type	BRIDGELUX LED
Driver	LIFUD Driver
Wattage	10W
Color Temperature	3000K
Rated Luminaire Luminous Flux	770lm
Rated Luminaire Efficiency	77lm/W
IP Rating	44
Beam Angle	24°
Voltage	AC220-240V
Frequency Range	50-60 Hz
CRI	Ra>90
Power Factor	>0.9
Output Current	250mA
Safety Class	Class II
Operating Temperature	-20°C ~ +40°C
SDCM(MacAdam)	< 3
Material	Die Cast Aluminum
Finish	White
Life Span	60,000 Hours
Warranty	6 Years
Applications	Residential, Commercial, Hospitality etc.



Cutout: 73x73mm

### TECHNICAL OPTIONS

Wattage	7W/12W/18W
Color Temperature	3000K-6000K
Beam Angle	10°/15°/38°/50°
Control	Switchable/DALI/1-10V/0-10V/TRIAC