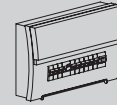


Installation Instructions

WARNING ⚡

1. Switch off before installation.
2. Switch on only after complete installation and examination of the circuit.
3. Professional electrician for installation and maintenance only.

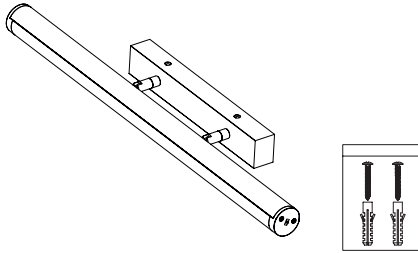


Turn Off
Power Supply

Turn Off power supply before starting any installation. Read instructions & check you have all the tools & accessories to complete the installation correctly.

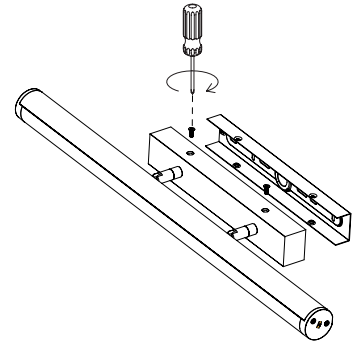
Installation

Step 1



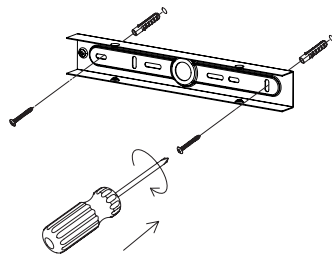
Take out the lamp and accessory pack from box.

Step 2



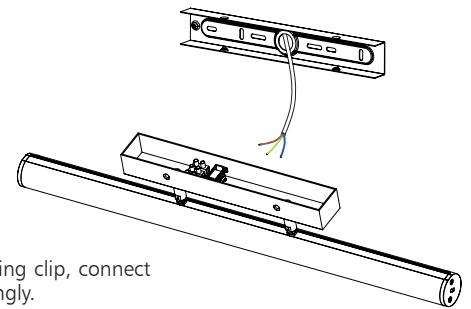
Take out the bracket.

Step 3



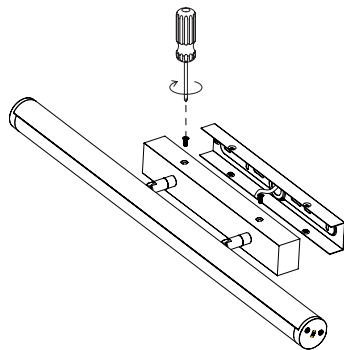
Knock the plastic anchor into ceiling.
Fix bracket with screw on the ceiling.

Step 4



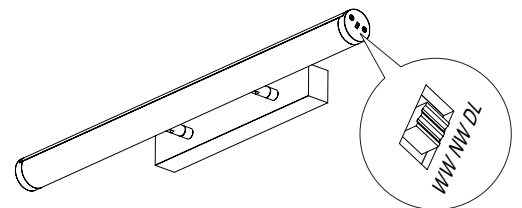
Remove the line pressing clip, connect the wires correspondingly.

Step 5



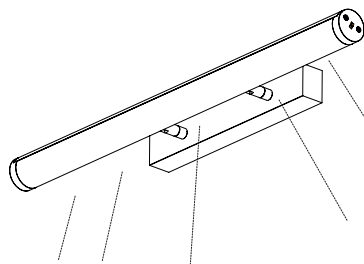
Fix the lamp on the bracket.

Step 6



Slide the preferred CCT before turn on the lamp.

Step 7



Switch on.

