

Castel

Magnetic Pendant Light



Features

- High Ra<90, Low SDCM<3
- High efficacy, high illuminance
- Glare-free design, perfect light spot and accurate beam angle, make surroundings of comfortable illumination
- Refined components and design, guarantee a long life span
- Non-flicker driver for superior lighting



Pendant



UGR
<19



IP Rating
IP20

6
years
warranty

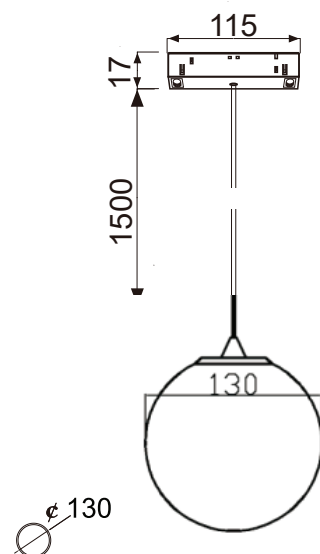
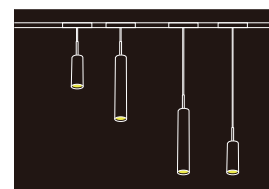
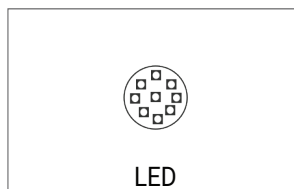
Standard Warranty

TECHNICAL DATA SHEET - CASTEL - 17918 - MAGNETIC PENDANT LIGHT



TECHNICAL DATA

Product Data	Pendant Light
Lamp Type	OSRAM LED
Wattage	6W
Color Temperature	3000K
Rated Luminaire Luminous Flux	390lm
Rated Luminaire Efficiency	65lm/W
IP Rating	20
Beam Angle	220°
Voltage	DC48V
Frequency Range	50-60 Hz
CRI	Ra>90
Power Factor	>0.9
Operating Temperature	-20°C ~ +50°C
Safety Class	Class III
Material	High-grade Aluminium
Finish	Glass & Gold
Life Span	60,000 Hours
Warranty	6 Years
Applications	Residential, Commercial, Hospitality etc.



Unit:mm

TECHNICAL OPTIONS

Color Temperature	2700K-6000K
Control	Switchable/TRIAC/0-10V/Wi-Fi/Bluetooth