

Luke Panel light




Features

- Energy saving up to 40% compared to conventional light sources
- Even light distribution, low flicker, no yellowing
- Low glare diffuser UGR < 22
- Relative Humidity: 10%-90%RH
- Overload Protection : 103~120%
- High Quality PCB
- Busbar Connection System
- Fully Machine made

 Recessed

 UGR
<22

 IP Rating
IP44

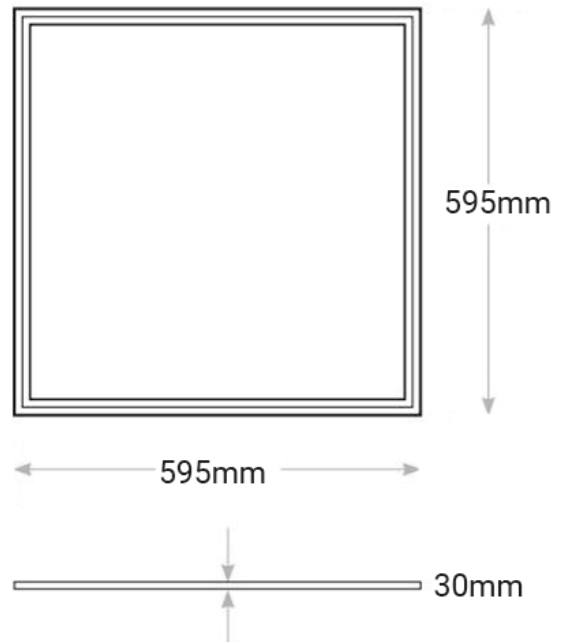
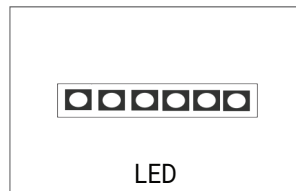
 6 years
warranty Standard Warranty

TECHNICAL DATA SHEET - LUKE - 18166 - PANEL LIGHT



TECHNICAL DATA

Product Data	Panel light
Lamp Type	BRIDGELUX LED
Wattage	40W
Color Temperature	6000K
Rated Luminaire Luminous Flux	5200lm
Rated Luminaire Efficiency	130lm/W
IP Rating	44
Beam Angle	120°
Voltage	AC220-240V
Frequency Range	50-60 Hz
CRI	Ra>90
Power Factor	>0.9
Output Current	1000mA
Output Voltage	DC28-40V
UGR Rating	<22
Safety Class	Class II
Operating Temperature	-20°C ~ +40°C
SDCM(Macadam step)	< 3
Material	Aluminium Body
Finish	White
Life Span	60,000 Hours
Warranty	6 Years
Applications	Residential, Commercial, Hospitality etc.



TECHNICAL OPTIONS

Wattage	26W, 30W, 36W
Control	Switchable, TRIAC, 1-10V, Dali, 0-10V
Configuration	Surface Mount, Suspended