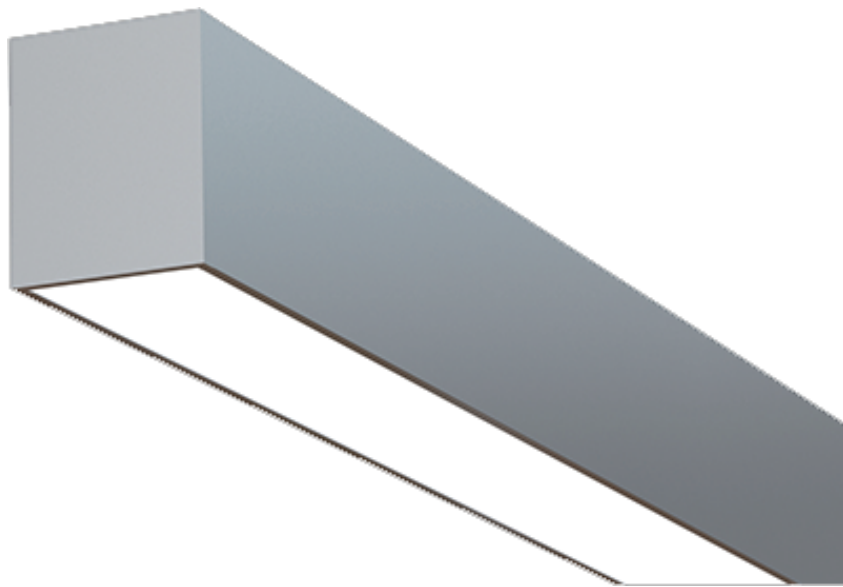


Zoe 35

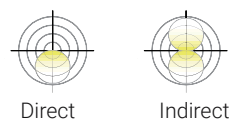
Linear Extrusion Light



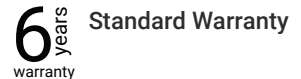
Features

- Streamline design style, can be seamless connection with any dimension, with an elegant presentation
- Can be grouped to different patterns to match the architecture style
- No Flicker, High efficiency and energy saving
- Different dimming modes for option: 0-10V, DALI, TRIAC, RGBW
- Length can be Customizable and Configurable

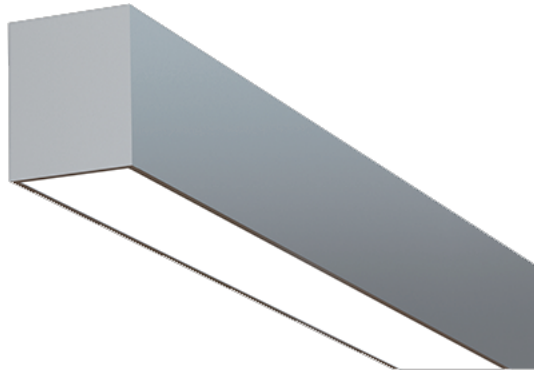
Light Distribution



Configuration



TECHNICAL DATA SHEET - ZOE 35 - 17484 - LINEAR EXTRUSION LIGHT



General Specifications

Dimensions

35mm x 35mm
 50mm x 35mm
 80mm x 35mm
 (Length can be Customizable and Configurable)



Power Consumption Range
 5 to 50W/m

Light Source
 SAMSUNG LED

Color Temperature
 3000K - 6000K

Color Rendering Index
 80 / 90

Lumen Efficiency
 Upto 105 lm/W

Lumen Maintenance
 72,000 Hours

Beam Angle
 120°

Distribution
 Diffused

IP Rating
 IP20

Operating Temperature
 -20°C ~+45°C

UGR Rating
 <19

SDCM (MacAdam)
 <3

Mounting Options
 Suspended
 Recessed
 Surface Mounted

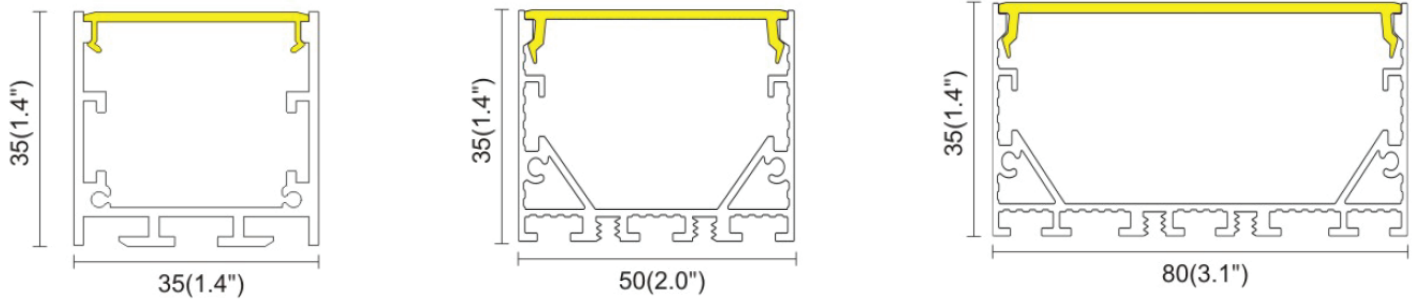
Dimming Options
 Switchable
 1-10V
 DALI
 TRIAC
 RGBW

Finish Options
 Silver
 Satin White
 Satin Black
 Customised

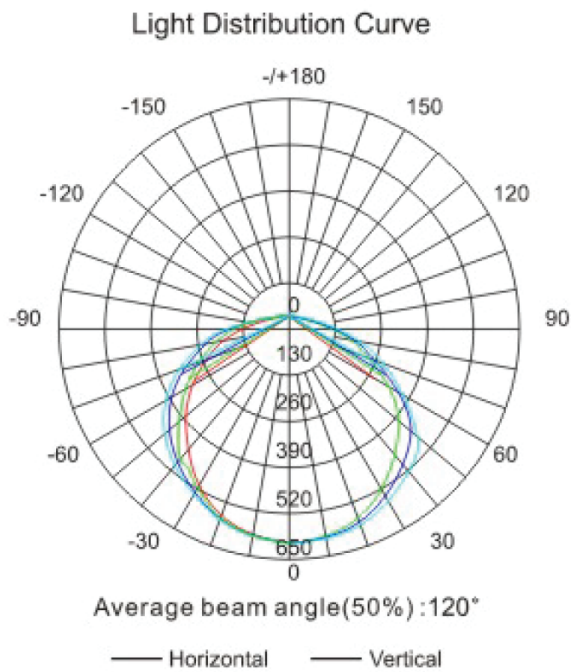
Applications
 Hotels, Hospitals, Shopping Malls,
 Showroom, Museum, Cinema,
 Supermarket, etc.

TECHNICAL DATA SHEET - ZOE 35 - 17484 - LINEAR EXTRUSION LIGHT

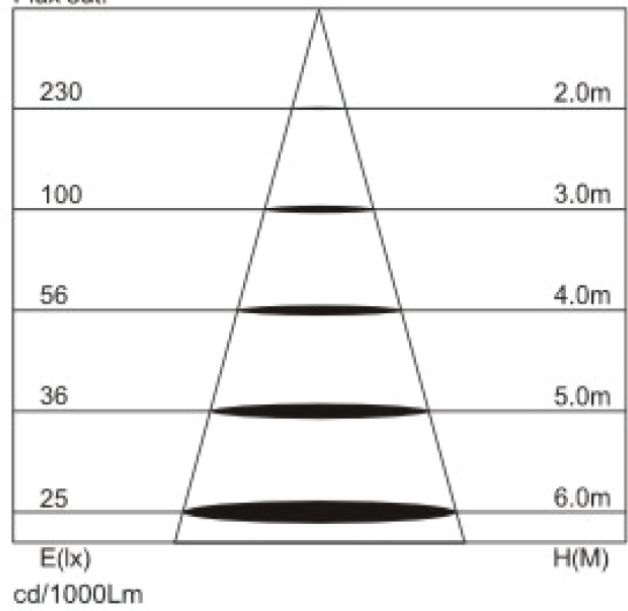
Dimensions:



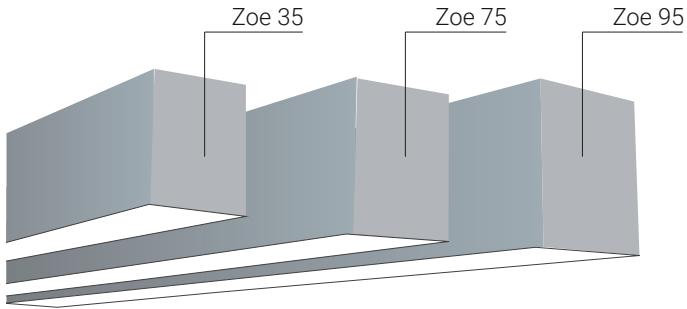
Photometrics:



Flux out:

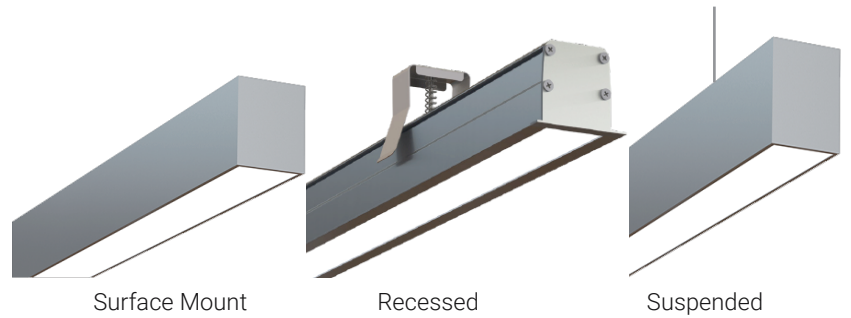


Design the interior to suit your needs



We understand that products need customisation options that satisfy any project and its architectural requirements.

The Zoe 35 Range now comes in **3 size alternatives** to suit all architectural spaces. High-ceilinged, intricate architectural details, corridors, corners; the Zoe 35 Range can fit everywhere and be mounted to accommodate your installation needs.



Shape Customization



Straight



L-Shape



U-Shape



Square



Z-Shape



S-Shape

Finish Options



Silver



Satin White



Satin Black



RAL



Don't just think in linear lines; the Zoe 35 Range offers the ability to add mitred intersections, for continuing lines of light or exciting shape combinations.

Zoe 35

Linear Extrusion

