

## Mizar

### Recessed Underwater Lamp-Par56



#### Features

- Made of super bright SMD2835 with high quality
- The lamp is filled with resin inside, which makes it 100% waterproof
- Low power consumption, high stability
- Supports 6 different kinds of color modes
- Easy to install, fitting to standard pool fittings
- Used for both Fresh or salt water pool



**IP Rating**  
IP68



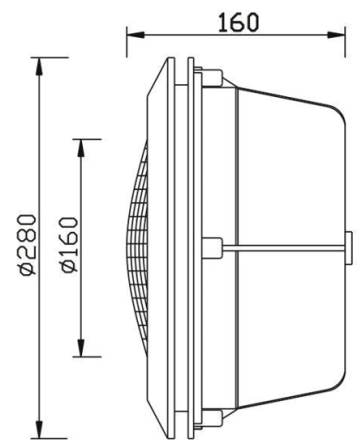
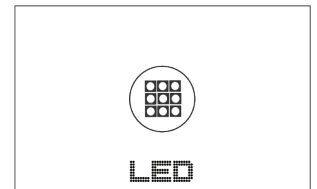
**Standard Warranty**

## TECHNICAL DATA SHEET - MIZAR - 17312 - RECESSED UNDERWATER LAMP



### TECHNICAL DATA

<b>Product Data</b>	Underwater Lamp
<b>Lamp Base</b>	Par56 Led Lamp
<b>Lamp Type</b>	EPISTAR LED
<b>LED Qty</b>	144pcs
<b>Wattage</b>	30W
<b>Color Temperature</b>	3000K
<b>Rated Luminaire Luminous Flux</b>	2700lm
<b>Rated Luminaire Efficiency</b>	90lm/W
<b>IP Rating</b>	68
<b>Voltage</b>	AC12V
<b>Frequency Range</b>	50-60 Hz
<b>CRI</b>	Ra>80
<b>Power Factor</b>	>0.9
<b>Operating Temperature</b>	-20°C ~ +50°C
<b>Material</b>	304 Stainless Steel Face Ring+Plastic Body
<b>Finish</b>	White
<b>Life Span</b>	30,000 Hours
<b>Warranty</b>	3 Years
<b>Applications</b>	Swimming Pools



Unit: mm

### TECHNICAL OPTIONS

<b>Wattage</b>	18W, 24W, 35W, 54W
<b>Color Temperature</b>	3000K-6000K, RGB
<b>Voltage</b>	AC24V/DC12V/DC24V