

Eleni

Linear Pendant Light



Features

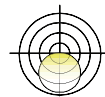
- Super filigree down design featured with eave one side to reduce glare
- PC diffuser and prismatic diffuser is optional
- High efficiency, glare free
- Standard offer in either non dimmable or 0-10V dimmable built in driver, other customized request could be satisfied
- Finish in matt black/matt white/grey



UGR
<21



IP Rating
IP20



Light
Distribution

6
years
warranty

Standard Warranty

Configuration



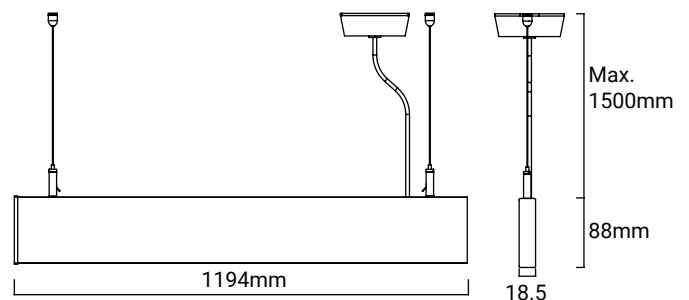
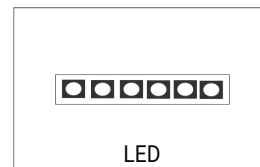
Pendant

TECHNICAL DATA SHEET - ELENi - 17291 - LINEAR PENDANT LIGHT



TECHNICAL DATA

Product Data	Suspended light
Lamp Type	SAMSUNG LED
Driver	LIFUD Driver
Wattage	40W
Color Temperature	4000K
Rated Luminaire Luminous Flux	3000lm
Rated Luminaire Efficiency	150lm/W
IP Rating	20
Beam Angle	101°
Voltage	AC220-240V
Frequency Range	50-60 Hz
CRI	Ra>83
Power Factor	>0.95
Output Current	184mA
Safety Class	Class I
Operating Temperature	-20°C ~ +40°C
Material	Aluminium housing + PC diffuser
Finish	Black
Life Span	60,000 Hours
Warranty	6 Years
Applications	Residential, Office, Conference room, Study, Library



TECHNICAL OPTIONS

Wattage	25W / 30W
Color Temperature	3000K - 6000K
Finish	Matt White / Grey
Control	Switchable/TRIAC/0-10V/DALI/1-10V

