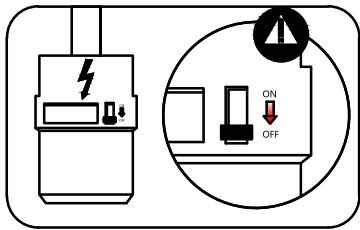


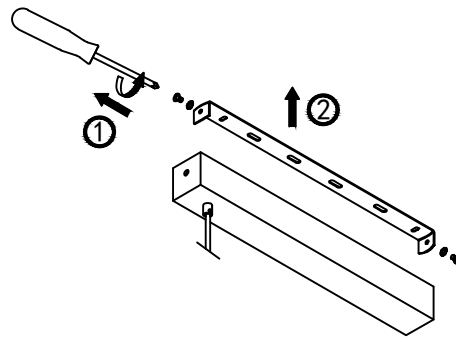
Installation Instruction

Attention:

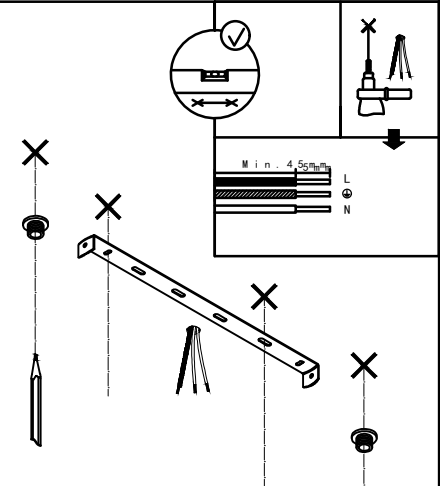
1. When installing lamps, make sure that the power supply is disconnected.
2. Before installing the lamps, please read the installation instructions of the lamps to avoid injury or loss caused by improper operation.
3. When installing the lamp head and base, it is recommended that the lamp be placed horizontally on the floor with a protective cushion to avoid scraping the lamp.
4. If the lamp is cleaned, make sure that the power supply is disconnected and wipe it with a non-corrosive detergent.



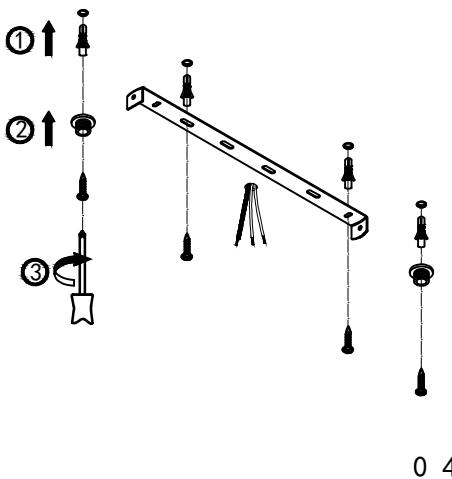
0 1



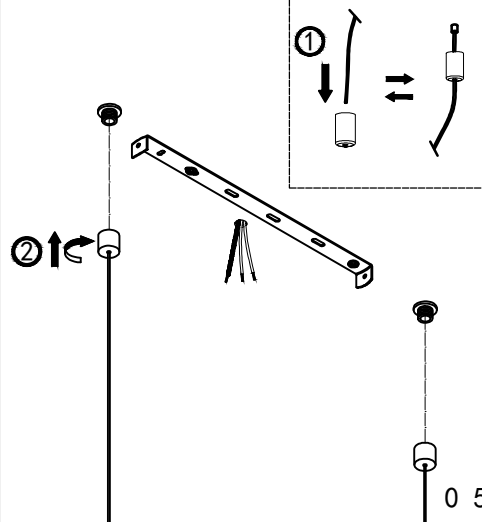
0 2



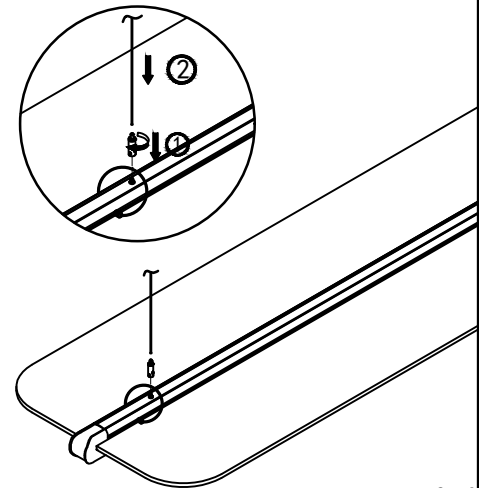
0 3



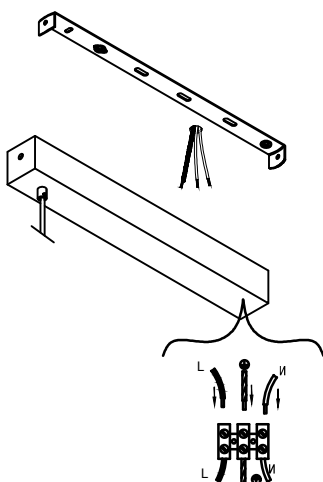
0 4



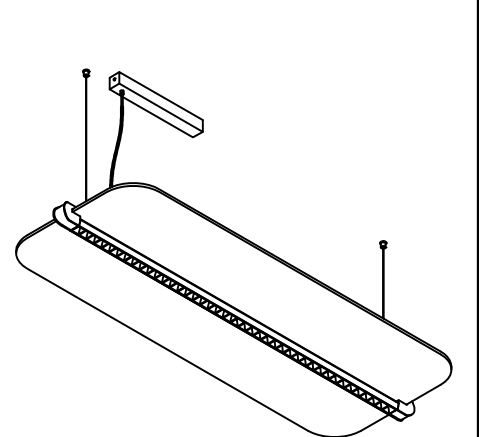
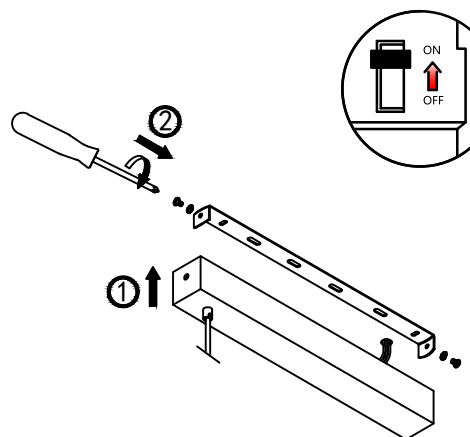
0 5



0 6



0 7



0 9