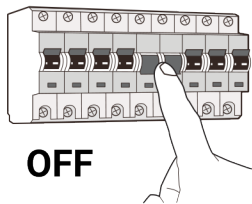


## Installation Instructions

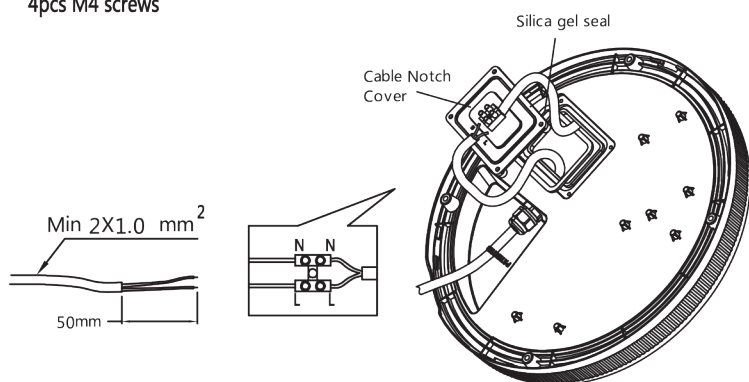
**A** : Turn off the switch.



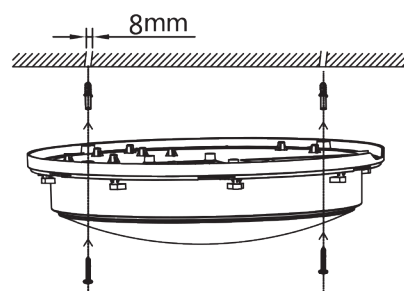
**B** Safety Notice:

1. Electrical installation should be done by professional person only
2. Disconnect the luminaire from supply and wait until luminaire is cooled down, before replacement of the driver
3. Never touch the lamp while luminaire is switched on
4. In any case of malfunction disconnect luminaire from supply immediately, don't try to repair the luminaire yourself, repair should only be done by professional person or official service agent.
5. Luminaire is not intended for looping-in connections.

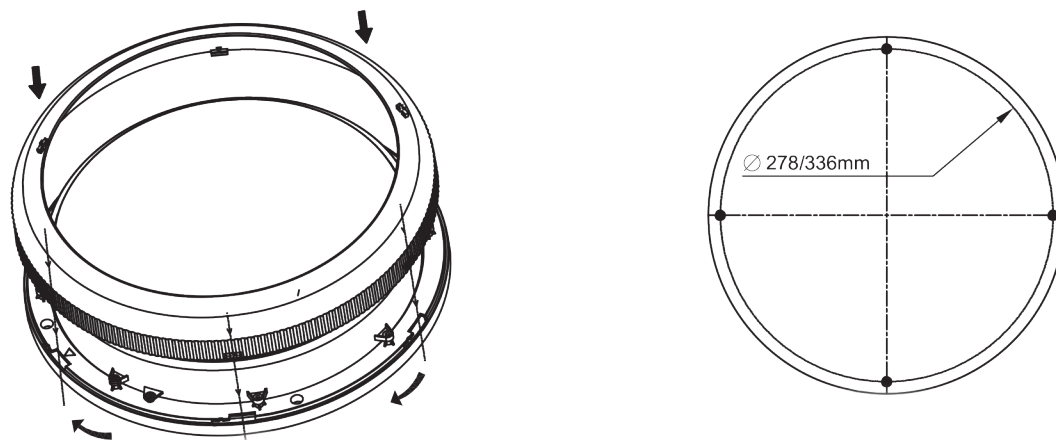
**C** Put the cable through the cable gland connect cable to the terminal block as below shown, Then fasten terminal block cover by using 4pcs M4 screws



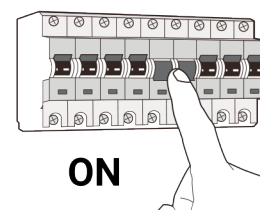
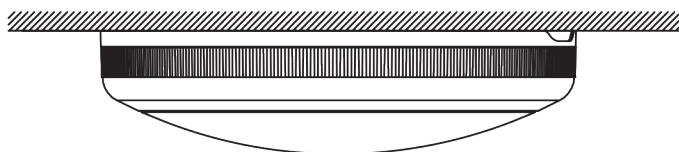
**D** Drill 4 holes With  $\varnothing 8\text{mm}$  according to below drawing. Insert  $\varnothing 8\text{mm}$  expansion pipe in the wall, fix the mounting by M5 screw.



**E** Rotate the out race to cover the diffuser



**F** Fix lamp on the wall



**G** Turn on the switch.