

Pandora Flood light



Features

- Rapid fit optics, customize the light beam to deliver the perfect performance
- Unique waterproofing concept – instant IP65 rating for the light engines
- Protective UV stabilized powder coated finish
- Compatible with multiple dimming protocols including 0-10V and DALI
- Optional built-in emergency



Surface



IK Rating
IK09



IP Rating
IP65



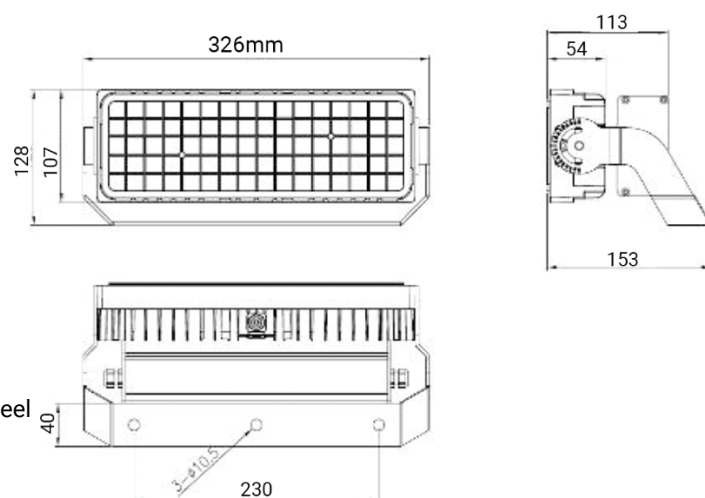
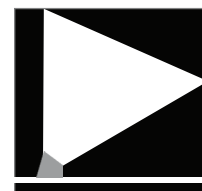
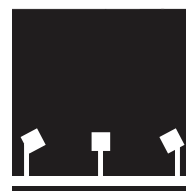
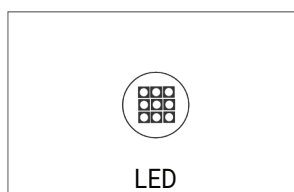
6 years
warranty Standard Warranty

TECHNICAL DATA SHEET - PANDORA - 15592 - FLOOD LIGHT



TECHNICAL DATA

Product Data	Flood Light
Lamp Type	LUMI LED 3030
Driver	Meanwell Driver
Wattage	35W
Color Temperature	5000K
Rated Luminaire Luminous Flux	4550lm
Rated Luminaire Efficiency	130lm/W
IP Rating	65
Beam Angle	D9 90x90°
Voltage	AC220-240V
Frequency Range	50-60 Hz
CRI	Ra>70
Power Factor	>0.9
SDCM	<5
Operating Temperature	-40°C to +50 °C
Storage Temperature	-25°C to +80 °C
Safety Class	Class I
Material	Die Cast Aluminium, Zinc Galvanised Steel
Optical Cover	Polycarbonate
Finish	Black
Life Span	100,000 Hours
Warranty	6 Years
Applications	Outdoors, Commercial, Hospitality etc.

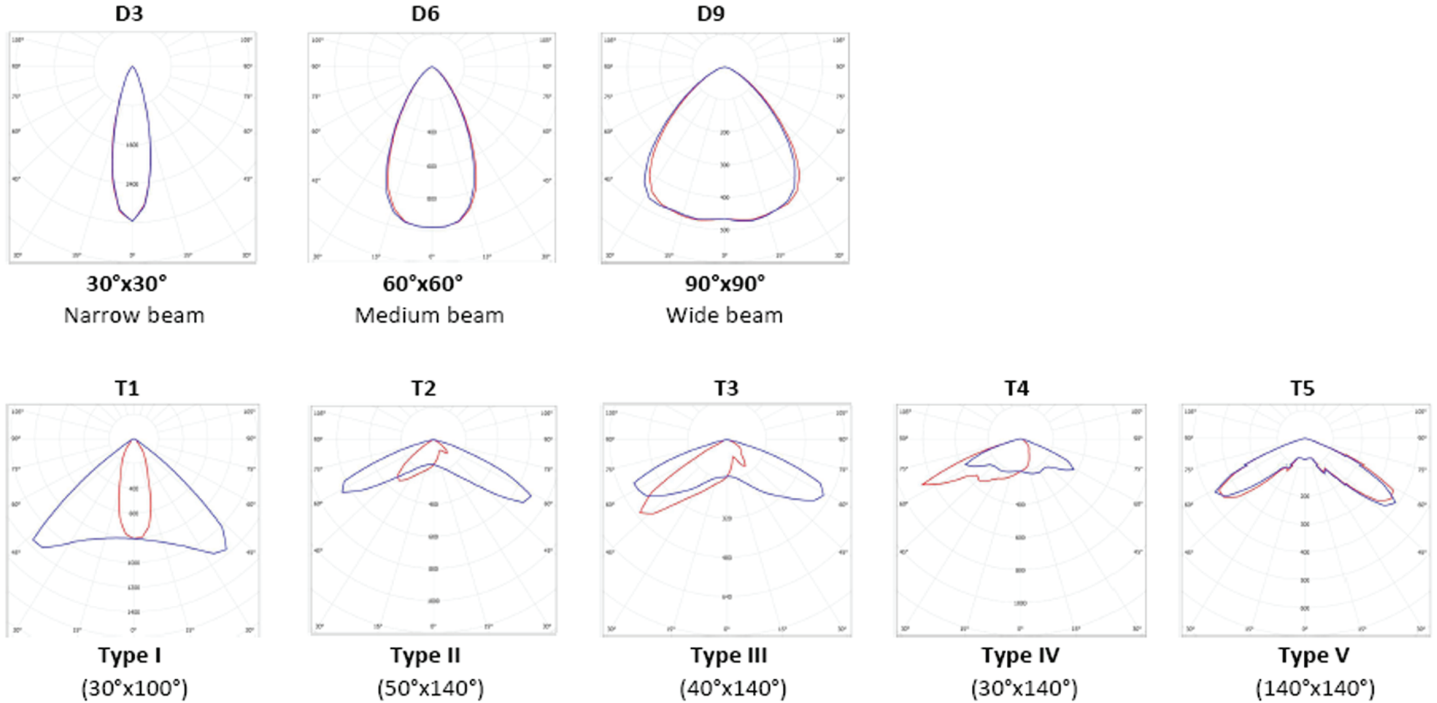


TECHNICAL OPTIONS

Wattage	50W/75W/100W/150W/200W/300W/ 400W/600W/800W/1000W/1200W
Color Temperature	3000K - 6500K
Beam Angle	30x30°, 60x60°
Control	Switchable, TRIAC, 1-10V, DALI

TECHNICAL DATA SHEET - PANDORA - 15592 - FLOOD LIGHT

PHOTOMETRICS



Ordering Information

LED Power

050 = 50W
 075 = 75W
 100 = 100W
 150L = 150W
 150H = 150W
 200 = 200W
 300 = 300W
 400 = 400W
 600 = 600W
 800 = 800W

Color Temp

40K = 4000K
 50K = 5000K
 65K = 6500K

CRI

70 = Min 70
 80 = Min 80

Optics

D3 = Round (30°x30°)
 D6 = Round (60°x60°)
 D9 = Round (90°x90°)
 T1 = Type I (30°x100°)
 T2 = Type II (50°x140°)
 T3 = Type III (40°x140°)
 T4 = Type IV (30°x140°)
 T5 = Type V (140°x140°)

Control

ND = Non-Dimmable
 VD = 0-10V Dimmable
 DD = DALI Dimmable

Finish

WH = White
 BL = Black